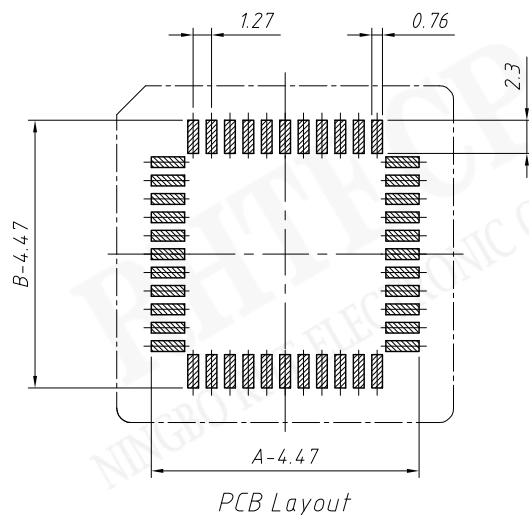


Material:
 Standard:PPS
 Insulator:Polyester,UL94V-0
 Contacts:Phosphor Bronze
 Plating:Sn Over Ni

Electrical Characteristics:
 Current Rating:3.0AMP
 Contact Resistance:20mΩ Max
 Withstand Voltage:1000V AC/DC
 Insulator Resistance:1000MΩ Min
 Operating Temperature: -40°C ~ +105°C
 Max.Processing Temp:230 for 30-60 seconds
 (260°C for 10 seconds)



PIN	A	B	C	D	E	F
20	15.60	15.65	5.08	5.08	17.28	9.36
28	18.19	18.19	7.62	7.62	20.87	12.00
32	18.15	20.65	7.62	10.16	22.90	14.40
44	23.27	23.27	12.70	12.70	28.30	16.99
52	25.81	25.81	15.24	15.24	31.65	19.54
68	30.89	30.89	20.32	20.32	38.83	24.62
84	35.97	35.97	25.40	25.40	46.00	29.70

Order Information:

RE-C-210-S-XX-A

PLCC Socket

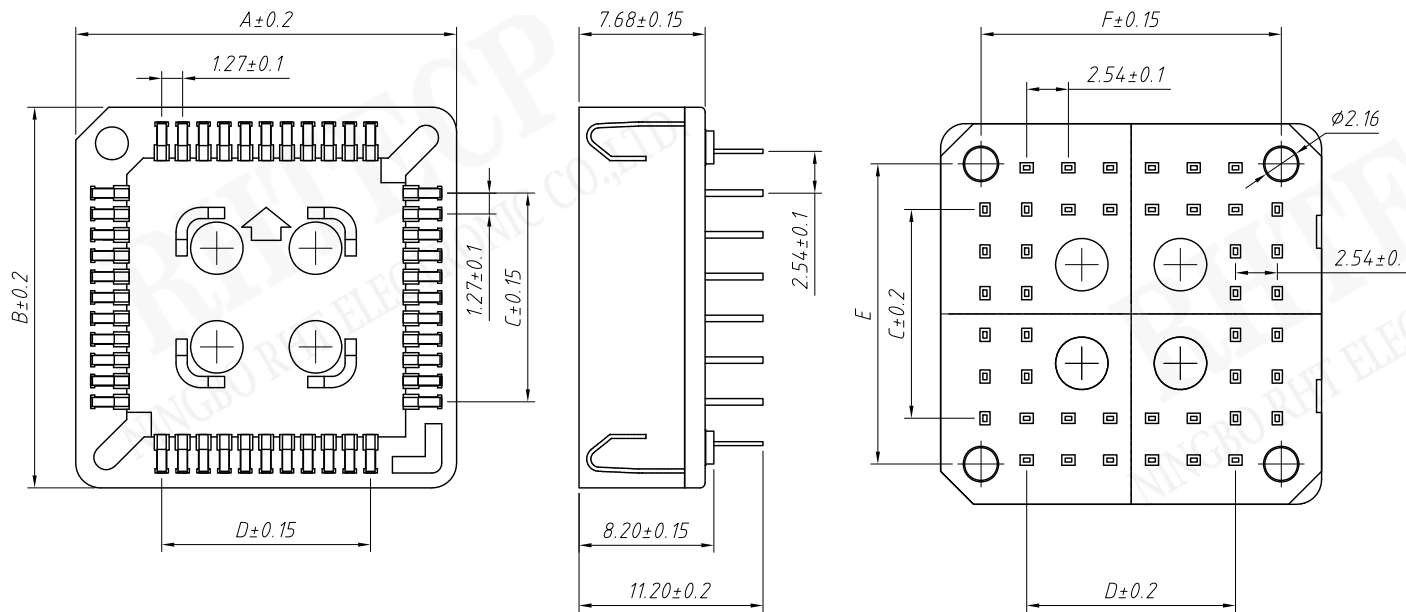
Type:

D=DIP S=SMT

XX-No.of 20 ~ 84pins

Color:

A=Brown B=Black

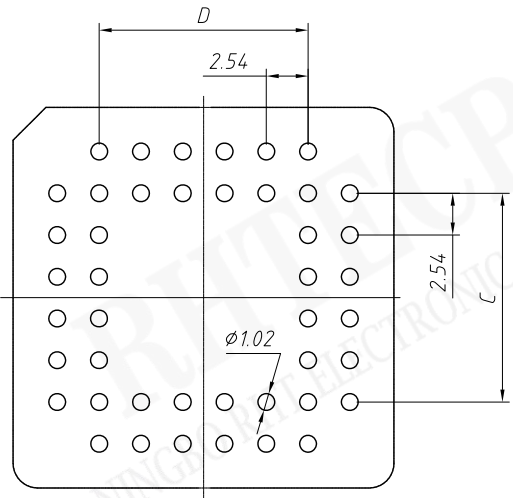
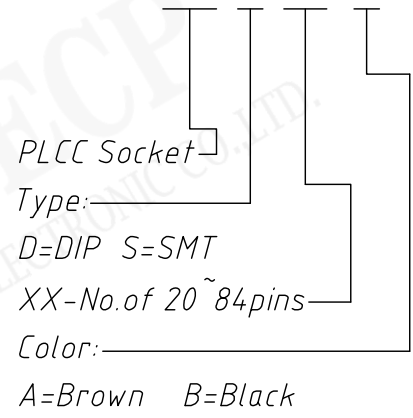


Material:
 Standard:PPS/PBT
 Insulator:Polyester UL94V-0
 Contacts: Phosphor Bronze
 Plating: Au or Sn Over Ni

Electrical Characteristics:
 Current Rating:3.0AMP
 Contact Resistance:20mΩ Max
 Withstand Voltage:1000V AC/DC
 Insulator Resistance:1000MΩ Min
 Operating Temperature: -40°C ~ +105°C

Order Information:

RE-C-210-D-XX-A



PCB Layout

PIN	A	B	C	D	E	F
20	15.60	15.60	5.08	5.08	10.00	10.00
28	18.09	18.09	7.62	7.62	12.90	12.90
32	18.04	20.60	7.62	10.16	15.40	12.90
44	23.10	23.10	12.70	12.70	18.00	18.00
52	25.70	25.70	15.24	15.24	20.50	20.50
68	30.80	30.80	20.32	20.32	25.75	25.75
84	35.95	35.95	25.40	25.40	30.90	30.90