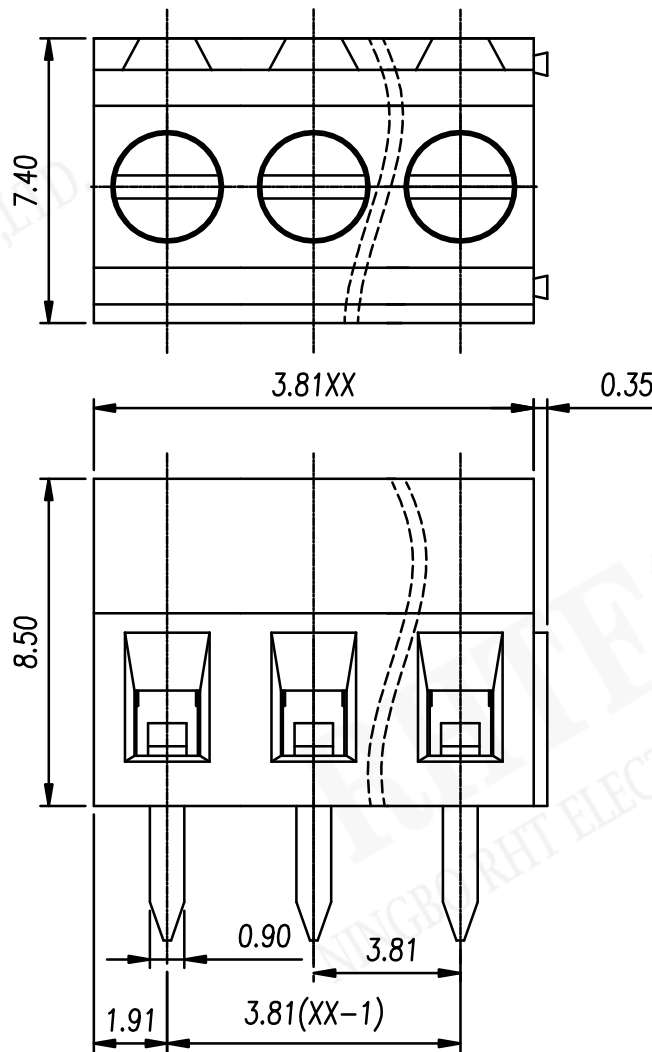


linear dimension(Tolerances Standard GB/T 14486-2008)										
variable range	to 6	over 6 to 10	over 10 to 30	over 30 to 60	over 60 to 100	over 100 to 160	over 160 to 10	over 10 to 100	over 100 to 0.60	
	tolerance	±0.20	±0.30	±0.50	±0.70	±1.00	±1.30	±1.60	0.10	0.30



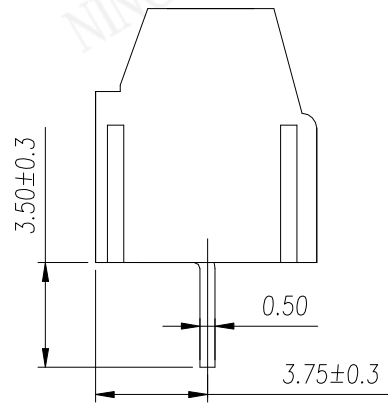
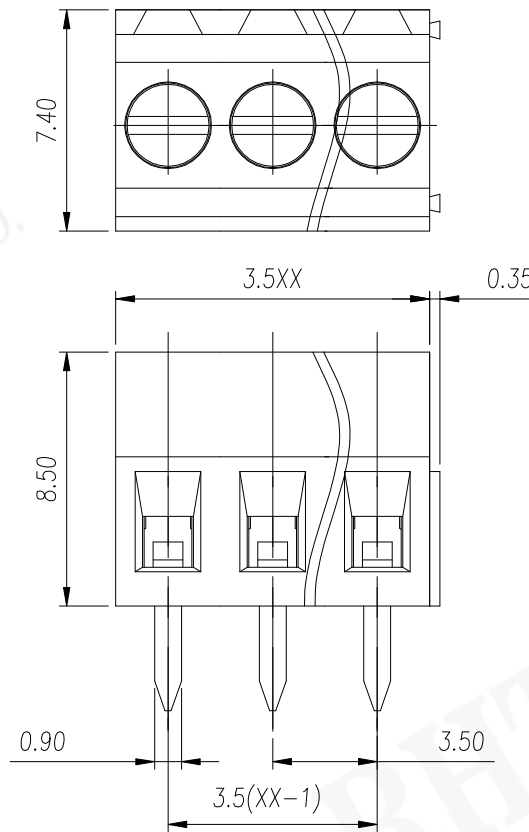
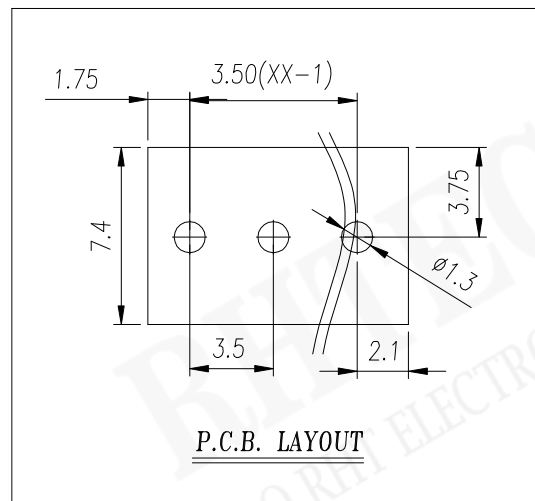
UL/CUL 技术参数		UL/CUL Technical Data					
等级	Use Group	B	C	D			
额定电压	Rated Voltage [V]	300	-	300			
额定电流	Rated Current [A]	10	-	10			
接线范围	Wire Range				28-16		
单/多芯线	Solid/Stranded [AWG]						
耐电压	Withstanding Voltage				1600V/1Min		
IEC 技术参数		IEC Technical Data					
过电压类别	Overtoltage Category	III	III	II			
污染等级	Contamination Class	3	2	2			
额定电压	Rated Voltage [V]	160	200	400			
额定电流	Rated Current [A]	13.5	13.5	13.5			
额定冲击电压	Impulse withstand voltage [KV]	2.5	2.5	2.5			
导线截面积	Conductor cross section				0.5-1.0		
硬质/柔性导线	Solid/ flexible [mm ²]						
材料		Material					
绝缘材料	Insulation Material				PA66		
阻燃等级	Inflammability				UL94V-0		
导体材料	Contacting Material				铜合金 Copper alloy		
导体表面镀层	Contactive Coating				镀锡 Sn Plated		
一般参数		Other Data					
间距	Pitch /极数 Poles [mm]/[P]				3.81 / 02~24		
剥线长度	Stripping Length [mm]				4-5		
螺丝	Screw/扭矩 Torque(Max) [N.m]				M2/0.2		
工作温度	Operating temperature [°C]				-40~105		
焊锡温度	Soldering temperature				260°C/5S		
引针尺寸	Pin Dimensions [mm]				0.5*0.9		
PCB板孔径	PCB Hole Diameter [mm]				Ø1.3		

NINGBO RHT ELECTRONIC CO.,LTD

UNITS:mm	SHEET SIZE:A4	SCALE:—	
>0~3	>3~18	>18~50	>50~120
±0.12	±0.15	±0.3	±0.5

RE-C-125-3.81-XXP-4S

TERMINAL BLOCK



UL/CUL 技术参数		UL/CUL Technical Data		
等级	Use Group	B	C	D
额定电压	Rated Voltage [V]	300	-	300
额定电流	Rated Current [A]	10	-	10
接线范围	Wire Range	28-16		
单/多芯线	Solid/Stranded [AWG]			
耐电压	Withstanding Voltage	1600V/1Min		
IEC 技术参数		IEC Technical Data		
过电压类别	Overvoltage Category	III	III	II
污染等级	Contamination Class	3	2	2
额定电压	Rated Voltage [V]	160	200	400
额定电流	Rated Current [A]	13.5	13.5	13.5
额定冲击电压	Impulse withstand voltage [KV]	2.5	2.5	2.5
导线截面积	Conductor cross section	0.5-1.0		
硬质/柔性导线	Solid/flexible [mm ²]			
材料		Material		
绝缘材料	Insulation Material	PA66		
阻燃等级	Imflammability	UL94V-0		
导体材料	Contactive Material	铜合金 Copper alloy		
导体表面镀层	Contactive Coating	镀锡 Sn Plated		
一般参数		Other Data		
间距	Pitch /极数 Poles [mm]/[P]	3.5 / 02~24		
剥线长度	Stripping Length [mm]	4~5		
螺丝	Screw/扭矩 Torque(Max) [N.m]	M2/0.2		
工作温度	Operating temperature [°C]	-40~105		
焊锡温度	Soldering temperature	260°C/5S		
引针尺寸	Pin Dimensions [mm]	0.5*0.9		
PCB板孔径	PCB Hole Diameter [mm]	Ø1.3		

linear dimension(Tolerances Standard GB/T 14486-2008)								—	∕	⊥
variable range	to 6	over 6 to 10	over 10 to 30	over 30 to 60	over 60 to 100	over 100 to 160	over 160 to 10	over 10 to 100	over 100 to	
tolerance	±0.20	±0.30	±0.50	±0.70	±1.00	±1.30	±1.60	0.10	0.30	0.60

NINGBO RHT ELECTRONIC CO.,LTD	UNITS:mm	SHEET SIZE:A4	SCALE:—	RE-C-125-3.50-XXP-4S TERMINAL BLOCK	
	>0~3	>3~18	>18~50		>50~120
	±0.12	±0.15	±0.3		±0.5