

RECOMMENDED PCB LAYOUT
TOLERANCE:±0.05

Material
Housing:Hing Temperature Thermoplastic,
UL94 V-0 LCP,Black/White.
Contact:Copper Alloy C2680.
Shell:Copper Alloy C2680/SPCC.

Finish:
Contact:Plated Gold In Mating Area;
Tin On Solder Tails.
Shell:Nickel Plating.

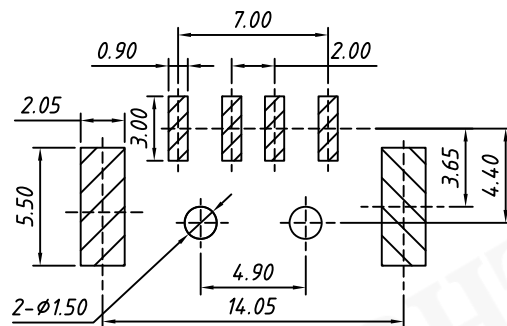
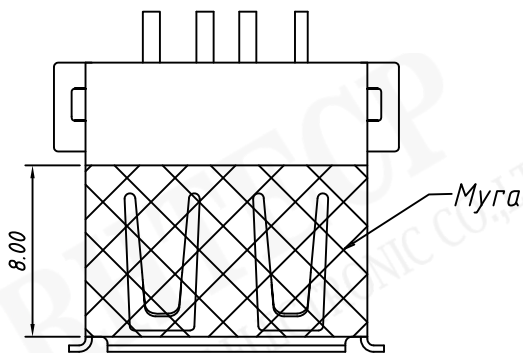
Electrical:
Current Rating:1.5A/Contact Terminal.
Voltage Rating:30V DC
Contact Resistance:30mΩ Max.
Dielectric Withstanding Voltage:
500 V AC AT Sea Level.
Insulation Resistance:1000MΩ Min.
Connector Mate and Unmated Force
Mate Force:3.75kgf Max.
Unmated Force:1.02kgf Min.
Terminal Retention:1.2kgf Min.

Order Information
RE - C - 181E - B - R
USB 2.0 A Female
Color: W=WHITE
B=BLACK
Packing: P=Tray
R= Tape on REEL

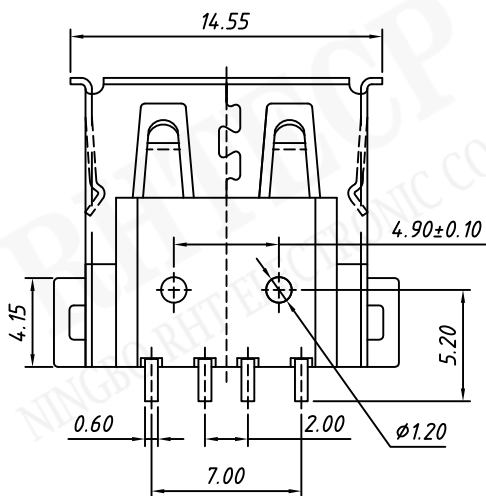
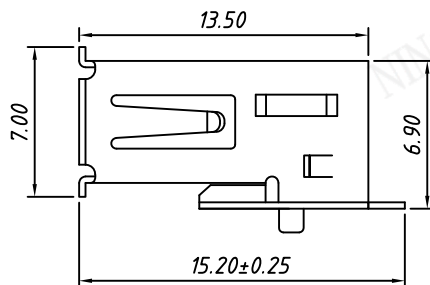
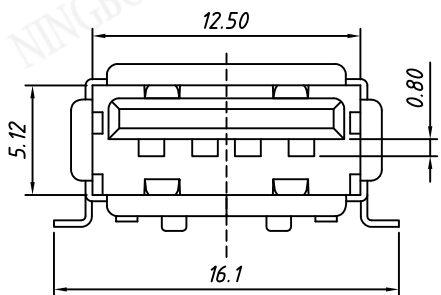


UNITS:mm	SHEET SIZE:A4		SCALE:---
>0~3	>3~18	>18~50	>50~120
±0.12	±0.15	±0.3	±0.5

RE - C - 181E - X - X
CONNECTORS



RECOMMENDED PCB LAYOUT
TOLERANCE:±0.05



Material

Housing:Hing Temperature Thermoplastic,
UL 94V-0 LCP,Black/White.

Contact:Copper Alloy C2680.

Shell:Copper Alloy C2680/SPCC.

Finish:

Contact:Plated Gold In Mating Area;

Tin On Solder Tails.

Shell:Nickel Plating.

Electrical:

Current Rating:1.5A/Contact Terminal.

Voltage Rating:30V DC

Contact Resistance:30mΩ Max.

Dielectric Withstanding Voltage:

500 V AC AT Sea Level.

Insulation Resistance:1000MΩ Min.

Connector Mate and Unmated Force

Mate Force:3.75kgf Max.

Unmated Force:1.02kgf Min.

Terminal Retention:1.2kgf Min.

Order Information

RE - C - 1827 - B - R

USB 2.0 A Female

Color: W=WHITE

B=BLACK

Packing: P=Tray

R= Tape on REEL