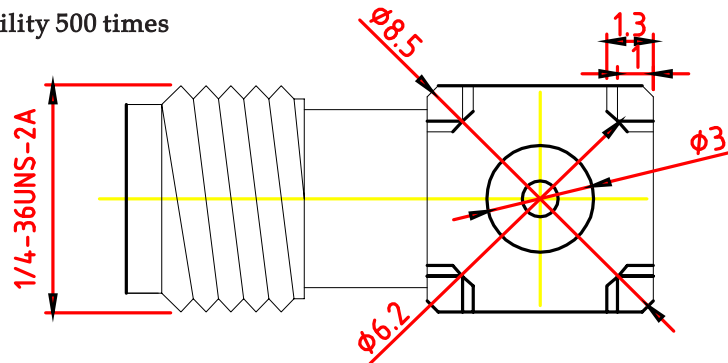


#### Technical parameters

1. Characteristic impedance 50F
2. Operating frequency 0-6GHZ
3. The main body of the connector is gilded.
4. Mechanical durability 500 times



#### SMA Connector Jack Female Right Angle

##### Electrical Specifications:

Impedance: 50  $\Omega$

Frequency Range Semi-rigid cable: 0-18 Ghz

Flexible cables: 0-12.4 GHz

Voltage Rating : 335 volts rms.

Dielectric Withstanding Voltage : 500 volts rms.

VSWR : 1.15 +0 .02 f (GHz) for Straight connector typical

1.25 +0 .025 f (GHz) for Right angle connector typical

Contact Resistance Center contact: 2.0 m $\Omega$

Body: 2.0 m $\Omega$

Insulation Resistance: 5,000 M $\Omega$

##### Mechanical Specifications:

Mating:1/4"-36 UNS thread coupling

Cable retention:6kgf typical

Durability:500Cycles Min.

Coupling nut retention:18kgf Min.

Temperature Range: - 55°C to +155°C

##### Material:

Connector body: Brass per QQ-B-626 , gold Plating or nickel

Center contact Male: Brass,gold Plating

Center contact Female: Beryllium copper,gold Plating

Insulator: PTFE

Gasket:Silicone rubber

Crimp Ferrule:Annealed copper

**RHTECP** NINGBO RHT ELECTRONIC CO.,LTD

UNITS:mm

SHEET SIZE:A4

SCALE:—

RE-C-SMA-KWE-6.3-14.2

>0~3

>3~18

>18~50

>50~120

$\pm 0.12$

$\pm 0.15$

$\pm 0.3$

$\pm 0.5$

CONNECTORS