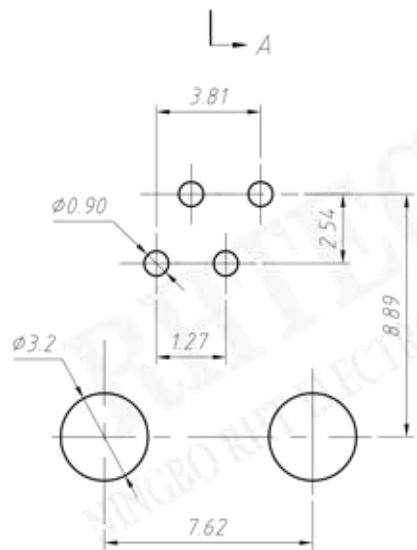


Material:
 Housing: PBT+Glass Filled Polyester
 Flammability Rating: UL94V-0
 Contacts: Phosphor Bronze $\phi 0.46\text{mm}$
 Plating: Gold Plating

Electrical:
 Voltage Rating: 125VAC
 Current Rating: 1.5A
 Contact Resistance: $30\text{m}\Omega$ Max.
 Insulation Resistance: $500\text{M}\Omega$ Min.
 Dielectric Strength: 1000VAC Rms 50Hz, 1 Min.
 Durability: 600 cycles Min.
 Operation Temperature: $-40^{\circ}\text{C} \sim +70^{\circ}\text{C}$



PCB Layout

Order Information

RE - C - 135 - 4P4C - 1 - XX

Contacts: 4P4C
 Color Code:
 1-Black
 2-Gray
 Plating Code:
 01-Fu" Gold Plating
 02-3u" Gold Plating
 03-6u" Gold Plating
 04-15u" Gold Plating
 05-30u" Gold Plating



NINGBO RHT ELECTRONIC CO.,LTD

UNITS:mm

SHEET SIZE:A4

SCALE:---

RE - C - 135 - 4P4C - X - XX

>0~3

>3~18

>18~50

>50~120

±0.12

±0.15

±0.3

±0.5

CONNECTORS