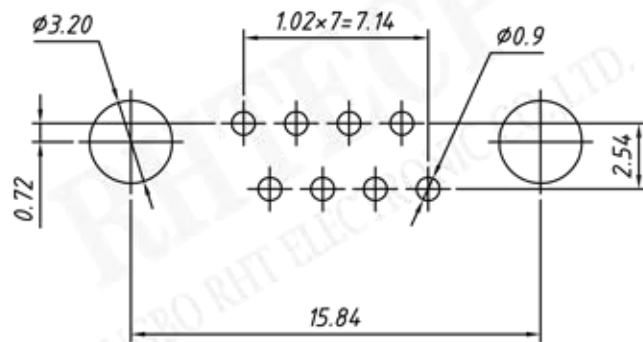


Material:
 Housing: PBT+Glass Filled Polyester
 Flammability Rating : UL94V-0
 Contacts: Phosphor Bronze $\phi 0.46\text{mm}$
 Plating: Gold Plating
 PEG: Steel, Tin Plating

Electrical:
 Voltage Rating: 125VAC
 Current Rating: 1.5A
 Contact Resistance: $30\text{m}\Omega$ Max.
 Insulation Resistance: $500\text{M}\Omega$ Min.
 Dielectric Strength: 1000VAC Rms 50Hz, 1 Min.
 Durability: 600 cycles Min.
 Operation Temperature: $-40^{\circ}\text{C} \sim +70^{\circ}\text{C}$

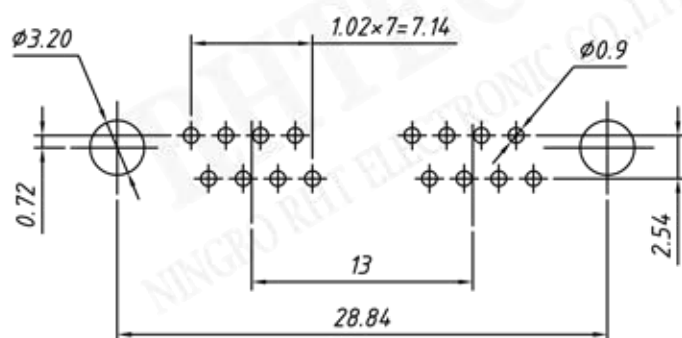
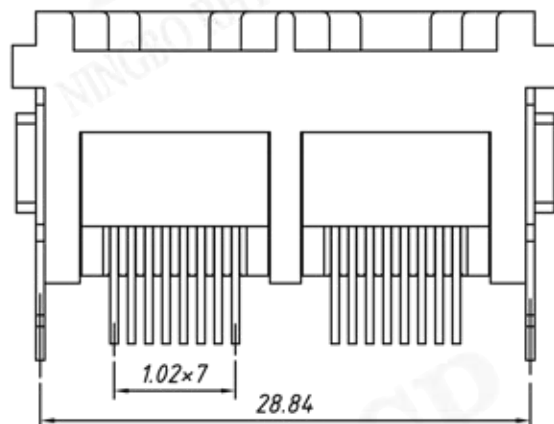
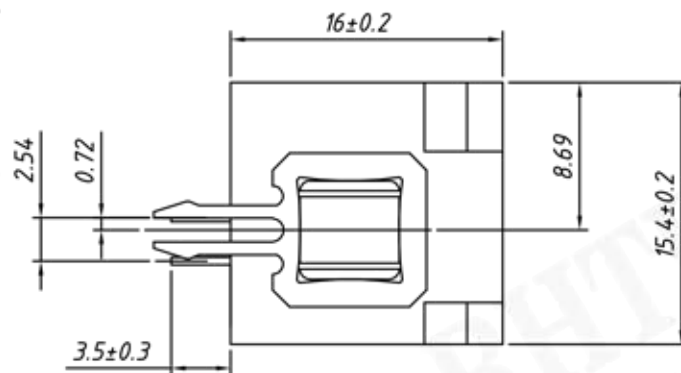
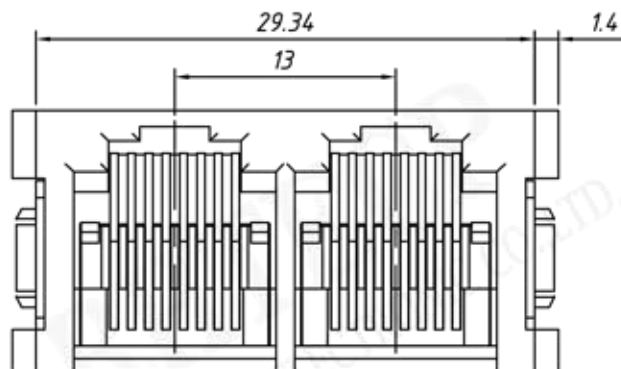


PCB Layout

Order Information

RE - C - 303 - 8P8C - 1x1 - 1 - 2 - XX - B

Contacts: 8P8C
 Peg Code: 1-With IRON PEG
 Insert Angle: 2-180°(Straight)
 Plating Code:
 01-Fu" Gold Plating
 02-3u" Gold Plating
 03-6u" Gold Plating
 04-15u" Gold Plating
 05-30u" Gold Plating
 Color Code: B-Black
 G-Gray



PCB Layout

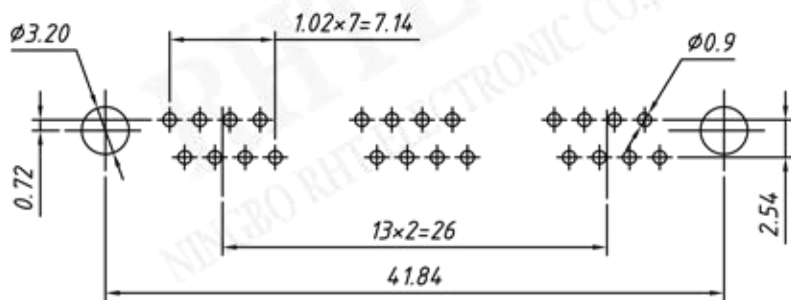
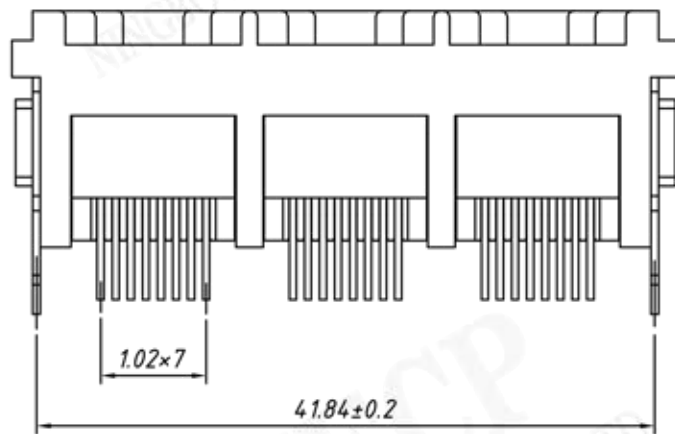
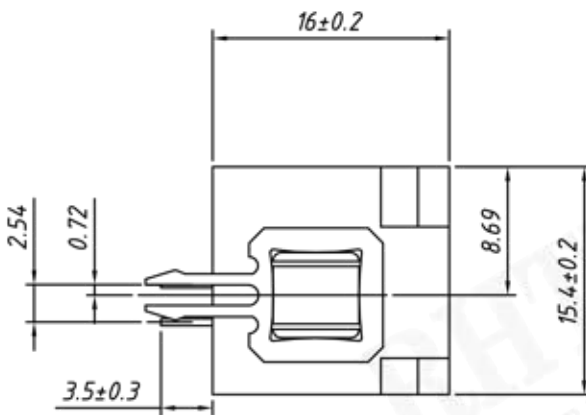
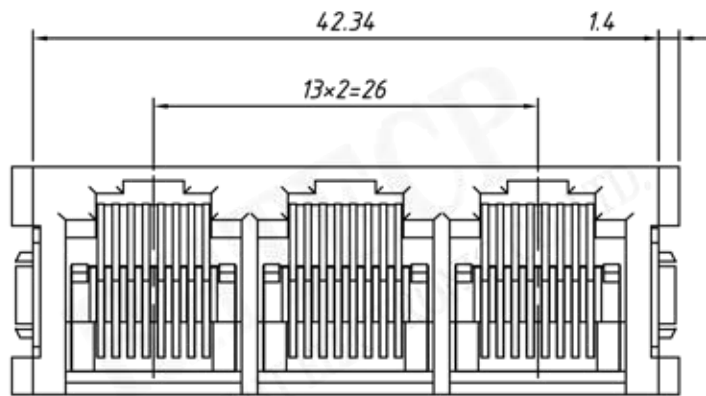
Material:
 Housing: PBT+Glass Filled Polyester
 Flammability Rating: UL94V-0
 Contacts: Phosphor Bronze $\phi 0.46\text{mm}$
 Plating: Gold Plating
 PEG: Steel, Tin Plating

Electrical:
 Voltage Rating: 125VAC
 Current Rating: 1.5A
 Contact Resistance: $30\text{m}\Omega$ Max.
 Insulation Resistance: $500\text{M}\Omega$ Min.
 Dielectric Strength: 1000VAC Rms 50Hz, 1 Min.
 Durability: 600 cycles Min.
 Operation Temperature: $-40^{\circ}\text{C} \sim +70^{\circ}\text{C}$

Order Information

RE - C - 303 - 8P8C - 1x2 - 1 - 2 - XX - B

Contacts: 8P8C
 Peg Code: 1-With IRON PEG
 Insert Angle: 2-180°(Straight)
 Plating Code:
 01-1u" Gold Plating
 02-3u" Gold Plating
 03-6u" Gold Plating
 04-15u" Gold Plating
 05-30u" Gold Plating
 Color Code: B-Black
 G-Gray



PCB Layout

Material:
 Housing: PBT+Glass Filled Polyester
 Flammability Rating: UL94V-0
 Contacts: Phosphor Bronze $\phi 0.46\text{mm}$
 Plating: Gold Plating
 PEG: Steel, Tin Plating

Electrical:
 Voltage Rating: 125VAC
 Current Rating: 1.5A
 Contact Resistance: $30\text{m}\Omega$ Max.
 Insulation Resistance: $500\text{M}\Omega$ Min.
 Dielectric Strength: 1000VAC Rms 50Hz, 1 Min.
 Durability: 600 cycles Min.
 Operation Temperature: $-40^{\circ}\text{C} \sim +70^{\circ}\text{C}$

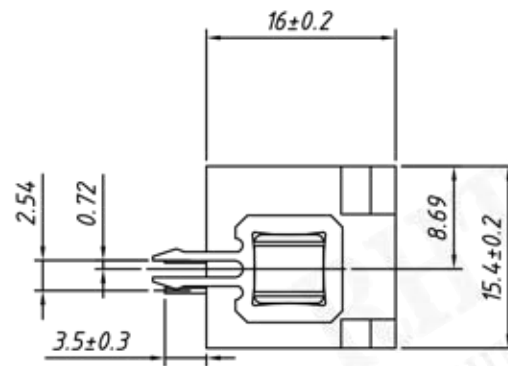
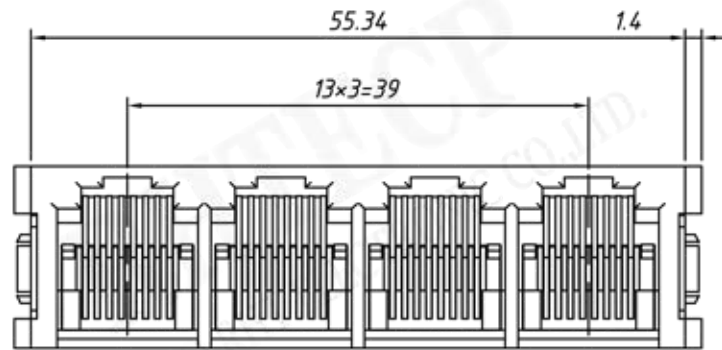
Order Information

RE-C-303-8P8C-1x3-1-2-XX-B

Contacts: 8P8C
 Peg Code: 1-With IRON PEG
 Insert Angle: 2-180°(Straight)
 Plating Code:

- 01-Fu" Gold Plating
- 02-3u" Gold Plating
- 03-6u" Gold Plating
- 04-15u" Gold Plating
- 05-30u" Gold Plating

Color Code: B-Black
 G-Gray

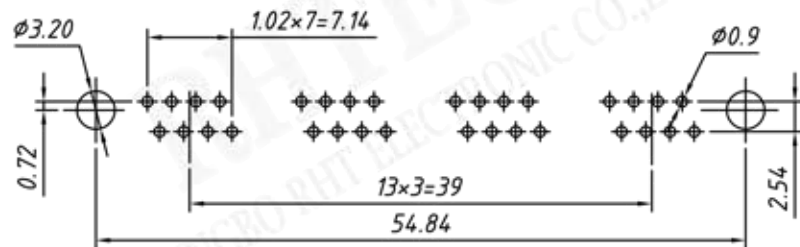
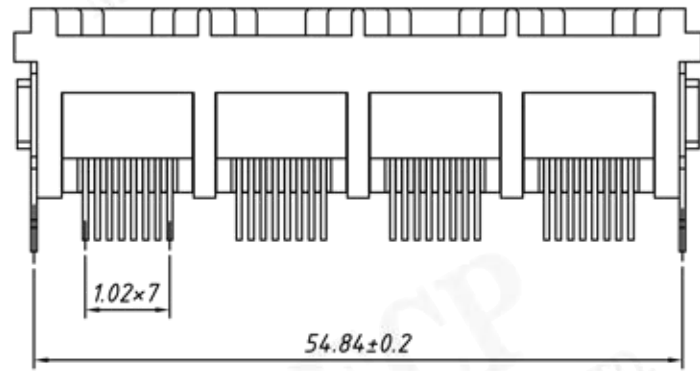


Material:
 Housing: PBT+Glass Filled Polyester
 Flammability Rating : UL94V-0
 Contacts: Phosphor Bronze $\phi 0.46\text{mm}$
 Plating: Gold Plating
 PEG: Steel, Tin Plating

Electrical:
 Voltage Rating: 125VAC
 Current Rating: 1.5A
 Contact Resistance: 30m Ω Max.
 Insulation Resistance: 500M Ω Min.
 Dielectric Strength: 1000VAC Rms
 50Hz, 1 Min.
 Durability: 600 cycles Min.
 Operation Temperature: -40°C ~ +70°C

Order Information

RE-C-303-8P8C-1x4-1-2-XX-B

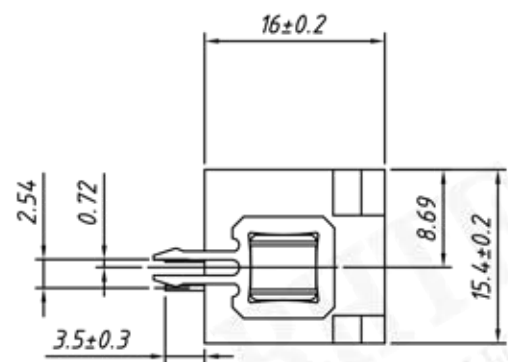
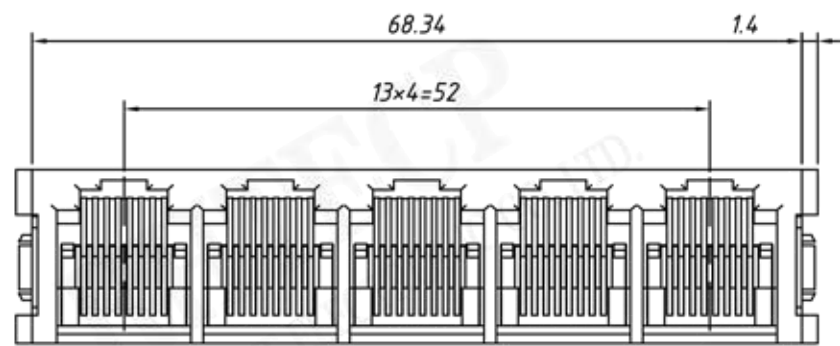


PCB Layout

Contacts: 8P8C
 Peg Code: 1-With IRON PEG
 Insert Angle: 2-180°(Straight)
 Plating Code:

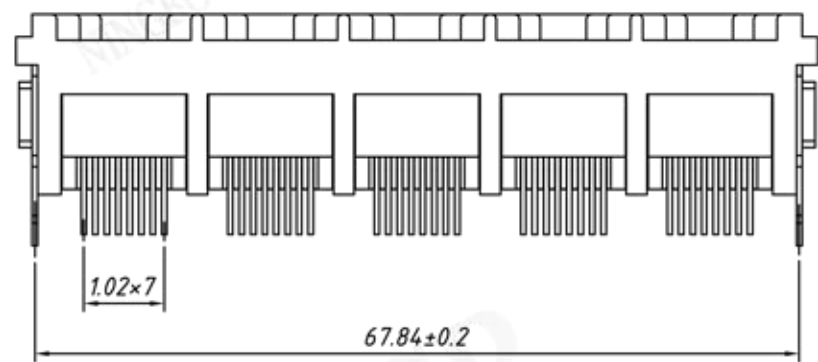
- 01-Fu" Gold Plating
- 02-3u" Gold Plating
- 03-6u" Gold Plating
- 04-15u" Gold Plating
- 05-30u" Gold Plating

Color Code: B-Black
 G-Gray



Material:
Housing: PBT+Glass Filled Polyester
Flammability Rating: UL94V-0
Contacts: Phosphor Bronze $\phi 0.46\text{mm}$
Plating: Gold Plating
PEG: Steel, Tin Plating

Electrical:
Voltage Rating: 125VAC
Current Rating: 1.5A
Contact Resistance: 30m Ω Max.
Insulation Resistance: 500M Ω Min.
Dielectric Strength: 1000VAC Rms 50Hz, 1 Min.
Durability: 600 cycles Min.
Operation Temperature: -40°C ~ +70°C



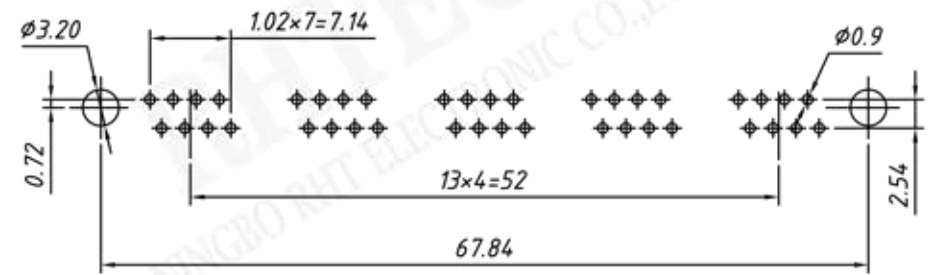
Order Information

RE - C - 303 - 8P8C - 1x5 - 1 - 2 - XX - B

Contacts: 8P8C
Peg Code: 1-With IRON PEG
Insert Angle: 2-180°(Straight)
Plating Code:

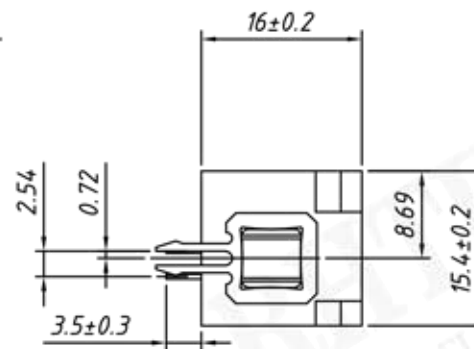
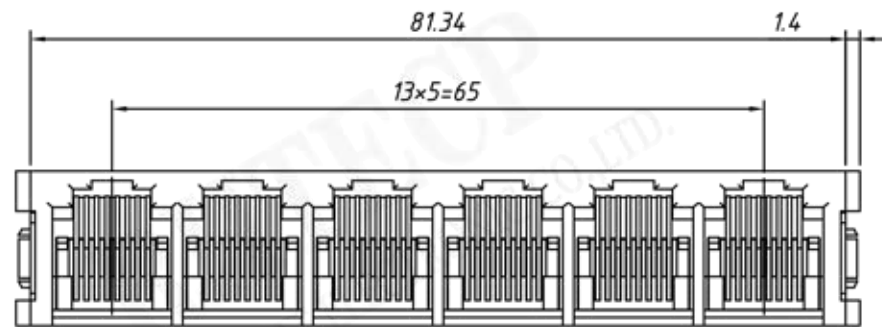
- 01-Fu" Gold Plating
- 02-3u" Gold Plating
- 03-6u" Gold Plating
- 04-15u" Gold Plating
- 05-30u" Gold Plating

Color Code: B-Black
 G-Gray



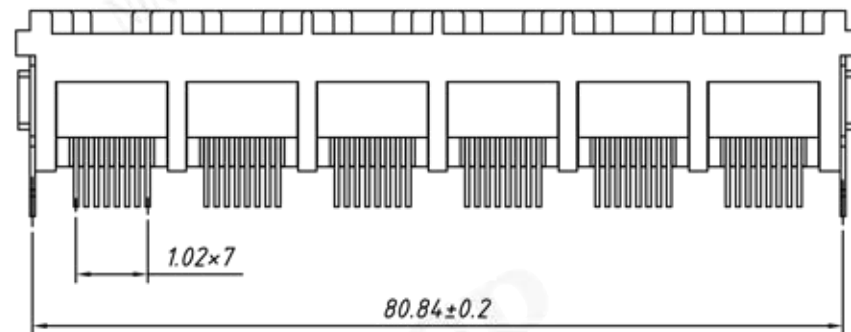
PCB Layout

UNITS:mm	SHEET SIZE:A4		SCALE:---
>0~3	>3~18	>18~50	>50~120
±0.12	±0.15	±0.3	±0.5



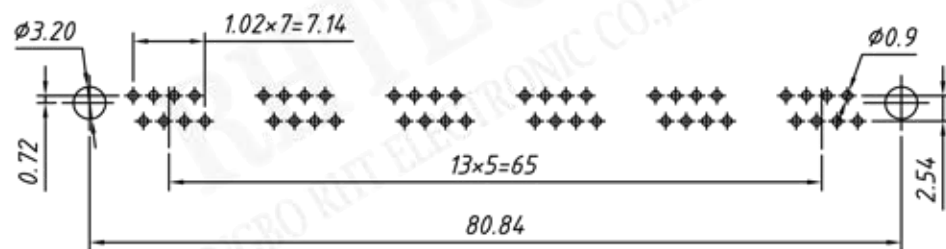
Material:
 Housing: PBT+Glass Filled Polyester
 Flammability Rating : UL94V-0
 Contacts: Phosphor Bronze $\phi 0.46\text{mm}$
 Plating: Gold Plating
 PEG: Steel, Tin Plating

Electrical:
 Voltage Rating: 125VAC
 Current Rating: 1.5A
 Contact Resistance: 30m Ω Max.
 Insulation Resistance: 500M Ω Min.
 Dielectric Strength: 1000VAC Rms 50Hz, 1 Min.
 Durability: 600 cycles Min.
 Operation Temperature: -40°C ~ +70°C



Order Information

RE - C - 303 - 8P8C - 1x6 - 1 - 2 - XX - B

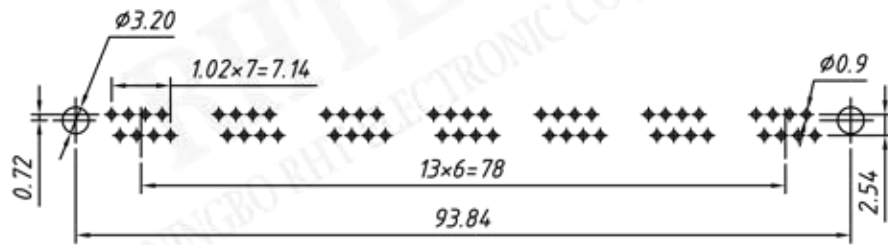
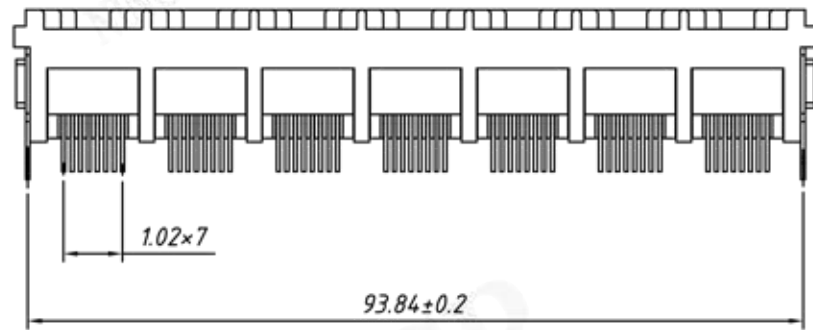
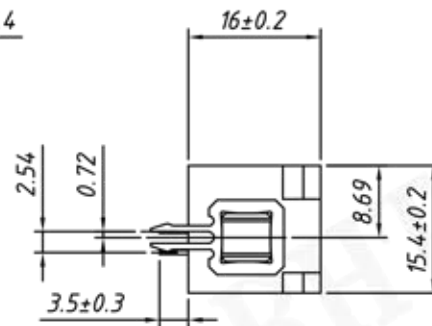
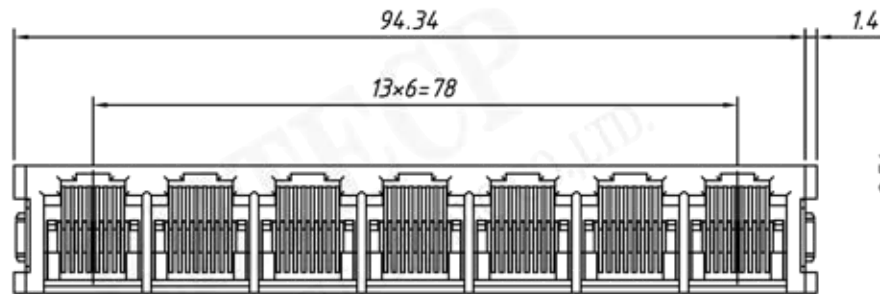


PCB Layout

Contacts: 8P8C
Peg Code: 1-With IRON PEG
Insert Angle: 2-180°(Straight)
Plating Code:

- 01-Fu" Gold Plating
- 02-3u" Gold Plating
- 03-6u" Gold Plating
- 04-15u" Gold Plating
- 05-30u" Gold Plating

Color Code: B-Black
 G-Gray



PCB Layout

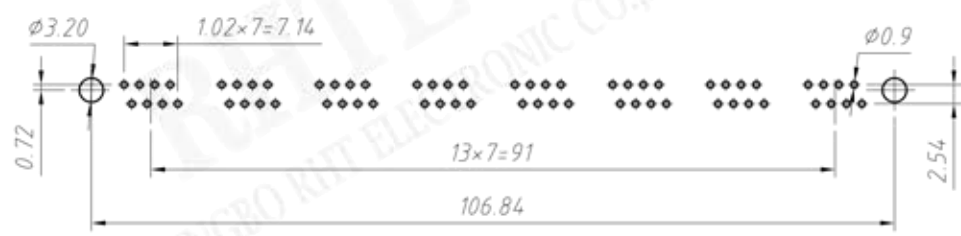
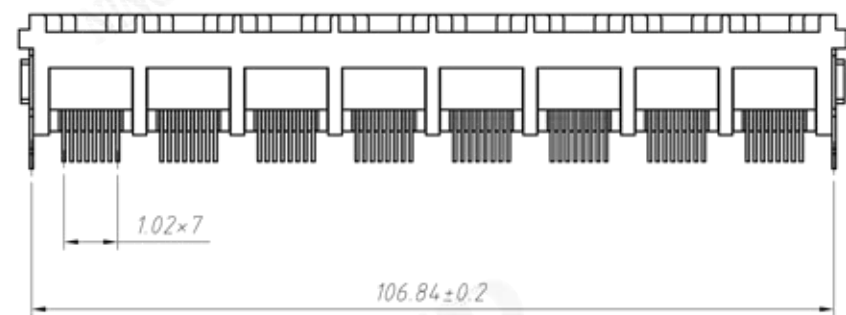
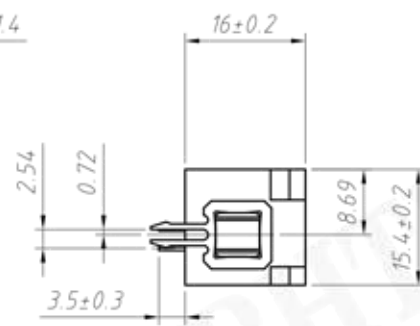
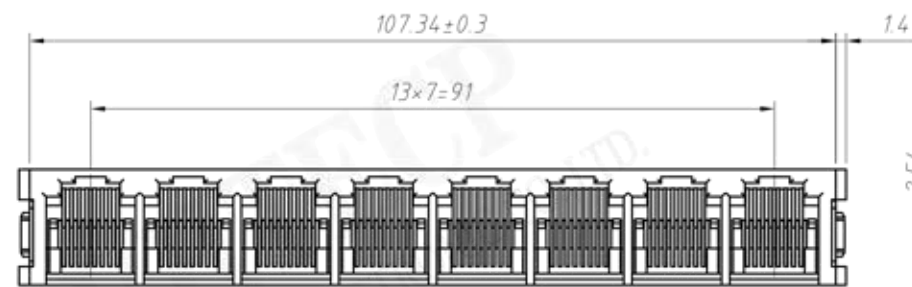
Material:
Housing: PBT+Glass Filled Polyester
Flammability Rating: UL94V-0
Contacts: Phosphor Bronze $\phi 0.46\text{mm}$
Plating: Gold Plating
PEG: Steel, Tin Plating

Electrical:
Voltage Rating: 125VAC
Current Rating: 1.5A
Contact Resistance: 30m Ω Max.
Insulation Resistance: 500M Ω Min.
Dielectric Strength: 1000VAC Rms 50Hz, 1 Min.
Durability: 600 cycles Min.
Operation Temperature: -40°C ~ +70°C

Order Information

RE - C - 303 - 8P8C - 1x7 - 1 - 2 - XX - B

Contacts: 8P8C
Peg Code: 1-With IRON PEG
Insert Angle: 2-180°(Straight)
Plating Code:
 01-Fu" Gold Plating
 02-3u" Gold Plating
 03-6u" Gold Plating
 04-15u" Gold Plating
 05-30u" Gold Plating
Color Code: B-Black
 G-Gray



PCB Layout

Material:
Housing: PBT+Glass Filled Polyester
Flammability Rating: UL94V-0
Contacts: Phosphor Bronze $\phi 0.46\text{mm}$
Plating: Gold Plating
PEG: Steel, Tin Plating

Electrical:
Voltage Rating: 125VAC
Current Rating: 1.5A
Contact Resistance: 30m Ω Max.
Insulation Resistance: 500M Ω Min.
Dielectric Strength: 1000VAC Rms 50Hz, 1 Min.
Durability: 600 cycles Min.
Operation Temperature: -40°C ~ +70°C

Order Information

RE - C - 303 - 8P8C - 1x8 - 1 - 2 - XX - B

Contacts: 8P8C
Peg Code: 1-With IRON PEG
Insert Angle: 2-180°(Straight)
Plating Code:
 01-Fu" Gold Plating
 02-3u" Gold Plating
 03-6u" Gold Plating
 04-15u" Gold Plating
 05-30u" Gold Plating
Color Code: B-Black
 G-Gray



NINGBO RHT ELECTRONIC CO.,LTD

UNITS:imm	SHEET SIZE:A4	SCALE:---
>0~3	>3~18	>18~50
±0.12	±0.15	±0.3

RE - C - 303 - 8P8C - 1x8 - 1 - 2 - XX - B

CONNECTORS