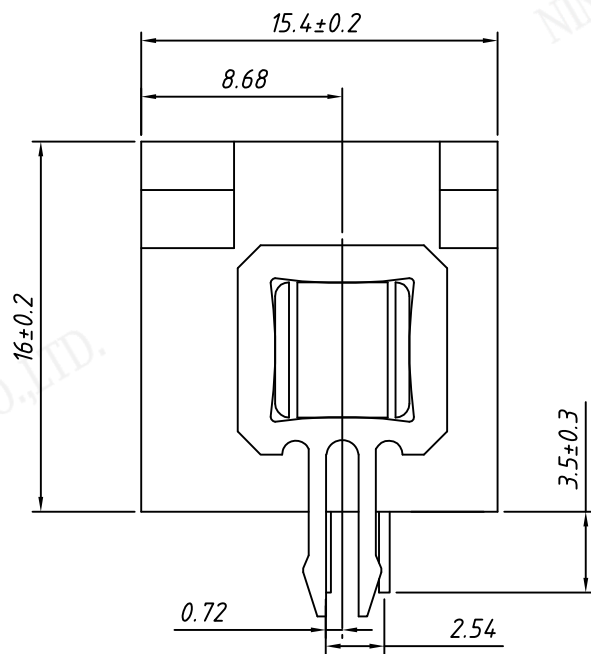
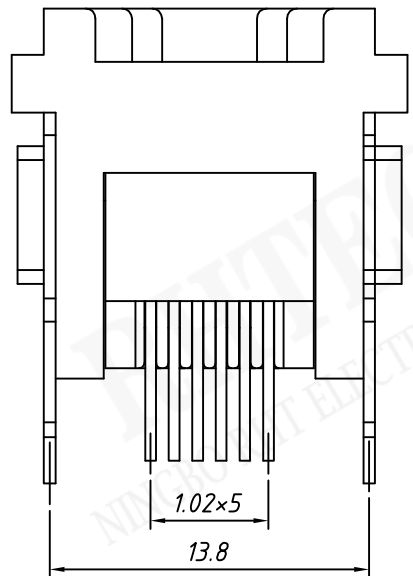


PCB Layout



Material:
Housing: PBT+Glass Filled Polyester
Flammability Rating: UL94V-0
Contacts: Phosphor Bronze $\phi 0.46\text{mm}$
Plating: Gold Plating
PEG: Steel, Tin Plating

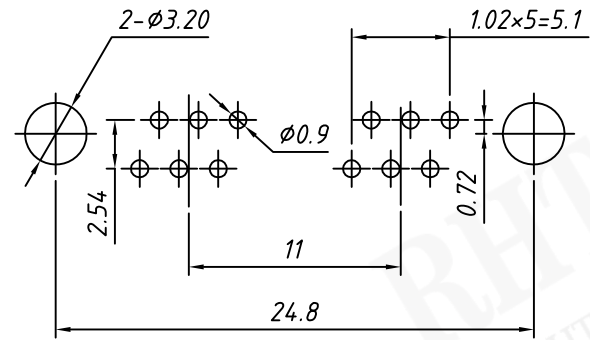
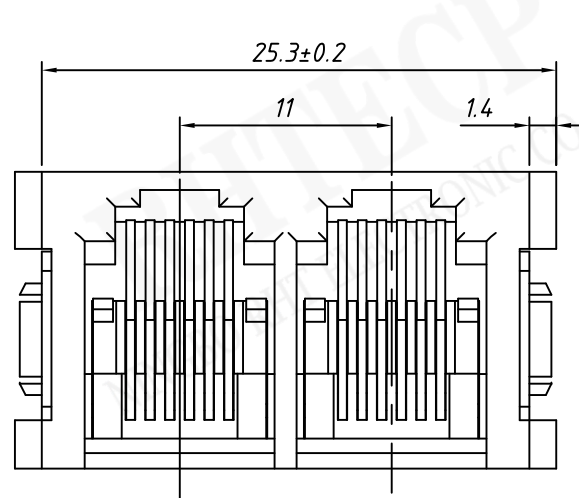
Electrical:
Voltage Rating: 125VAC
Current Rating: 1.5A
Contact Resistance: 30m Ω Max.
Insulation Resistance: 500M Ω Min.
Dielectric Strength: 1000VAC Rms 50Hz, 1 Min.
Durability: 600 cycles Min.
Operation Temperature: -40°C ~ +70°C

Order Information

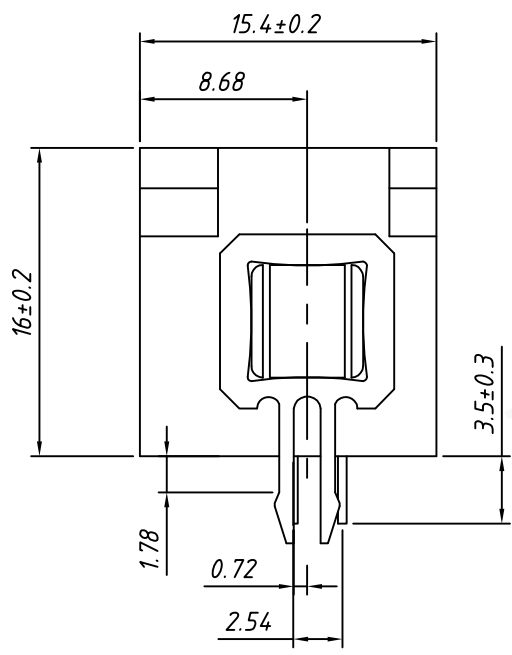
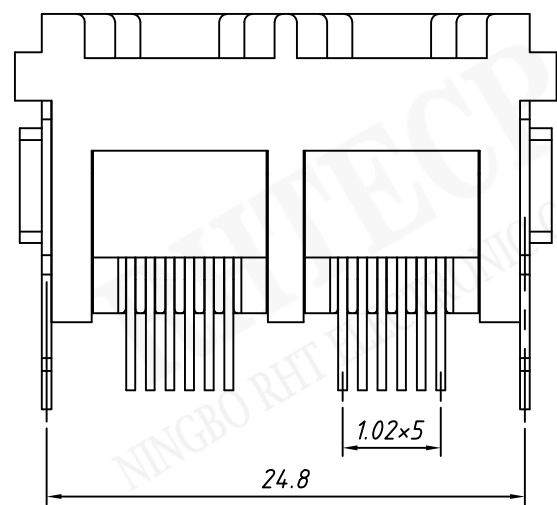
RE-C-303-6P6C-1x1-1-2-XX-B

Contacts: 6P6C
Peg Code: 1-With IRON PEG
Insert Angle: 2-180°(Straight)
Plating Code:
 01-Fu" Gold Plating
 02-3u" Gold Plating
 03-6u" Gold Plating
 04-15u" Gold Plating
 05-30u" Gold Plating
Color Code: B-Black
 G-Gray

| UNITS:mm | SHEET SIZE:A4 | | SCALE:--- |
|----------|---------------|--------|-----------|
| >0~3 | >3~18 | >18~50 | >50~120 |
| ±0.12 | ±0.15 | ±0.3 | ±0.5 |



PCB Layout



Material:
 Housing: PBT+Glass Filled Polyester
 Flammability Rating: UL94V-0
 Contacts: Phosphor Bronze $\phi 0.46\text{mm}$
 Plating: Gold Plating
 PEG: Steel, Tin Plating

Electrical:
 Voltage Rating: 125VAC
 Current Rating: 1.5A
 Contact Resistance: 30m Ω Max.
 Insulation Resistance: 500M Ω Min.
 Dielectric Strength: 1000VAC Rms 50Hz, 1 Min.
 Durability: 600 cycles Min.
 Operation Temperature: -40°C ~ +70°C

Order Information

RE - C - 303 - 6P6C - 1x2 - 1 - 2 - XX - B

Contacts: 6P6C
 Peg Code: 1-With IRON PEG
 Insert Angle: 2-180°(Straight)
 Plating Code:
 01-Fu" Gold Plating
 02-3u" Gold Plating
 03-6u" Gold Plating
 04-15u" Gold Plating
 05-30u" Gold Plating
 Color Code: B-Black
 G-Gray

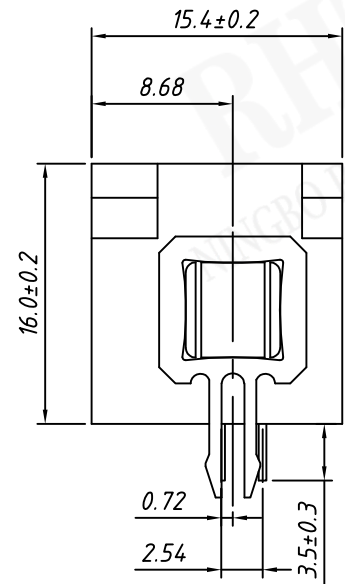
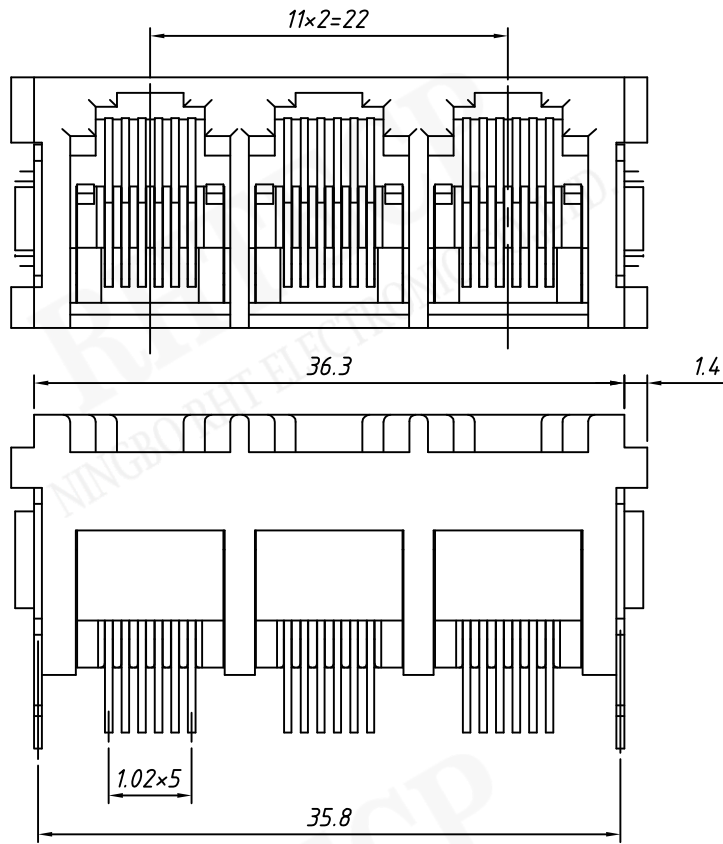


NINGBO RHT ELECTRONIC CO.,LTD

| UNITS:mm | SHEET SIZE:A4 | | SCALE:--- |
|----------|---------------|--------|-----------|
| >0~3 | >3~18 | >18~50 | >50~120 |
| ±0.12 | ±0.15 | ±0.3 | ±0.5 |

RE-C-303-6P6C-1x2-1-2-XX-B

CONNECTORS



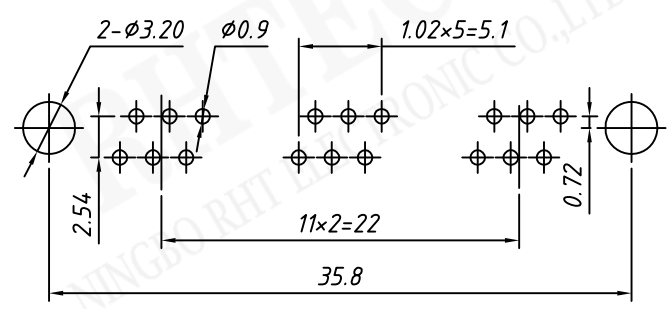
Material:
Housing: PBT+Glass Filled Polyester
Flammability Rating : UL94V-0
Contacts: Phosphor Bronze $\phi 0.46\text{mm}$
Plating: Gold Plating
PEG: Steel, Tin Plating

Electrical:
Voltage Rating: 125VAC
Current Rating: 1.5A
Contact Resistance: $30\text{m}\Omega$ Max.
Insulation Resistance: $500\text{M}\Omega$ Min.
Dielectric Strength: 1000VAC Rms 50Hz, 1 Min.
Durability: 600 cycles Min.
Operation Temperature: $-40^{\circ}\text{C} \sim +70^{\circ}\text{C}$

Order Information

RE-C-303-6P6C-1x3-1-2-XX-B

Contacts: 6P6C
Peg Code: 1-With IRON PEG
Insert Angle: 2-180°(Straight)
Plating Code: _____
01-Fu" Gold Plating
02-3u" Gold Plating
03-6u" Gold Plating
04-15u" Gold Plating
05-30u" Gold Plating
Color Code: B-Black
G-Gray

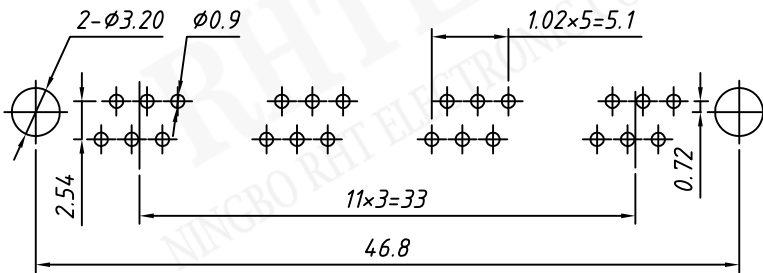
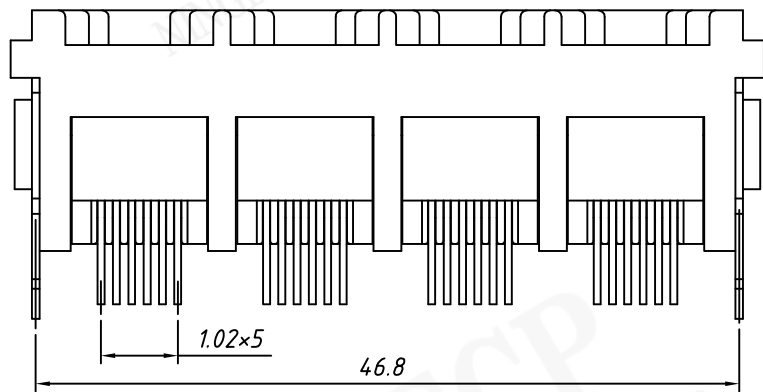
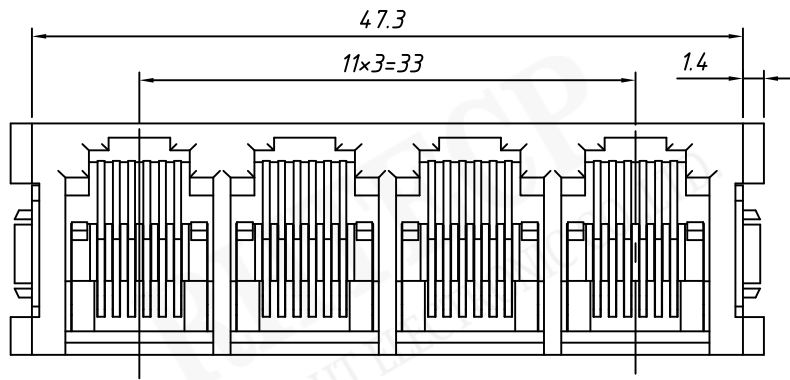


PCB Layout

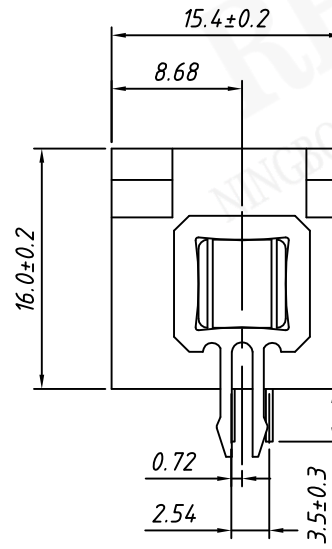


| UNITS:mm | SHEET SIZE:A4 | | SCALE:--- |
|----------|---------------|--------|-----------|
| >0~3 | >3~18 | >18~50 | >50~120 |
| ±0.12 | ±0.15 | ±0.3 | ±0.5 |

RE-C-303-6P6C-1x3-1-2-XX-B
CONNECTORS



PCB Layout



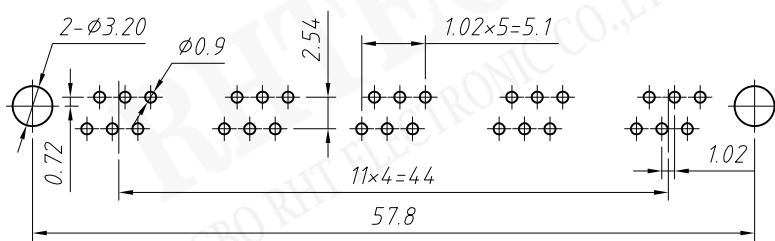
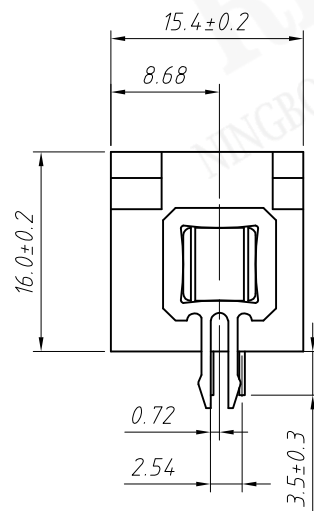
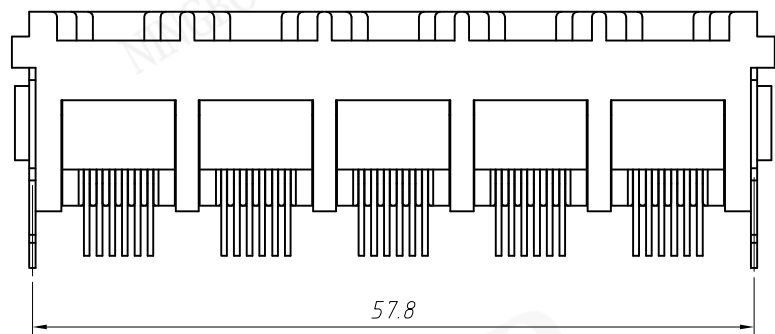
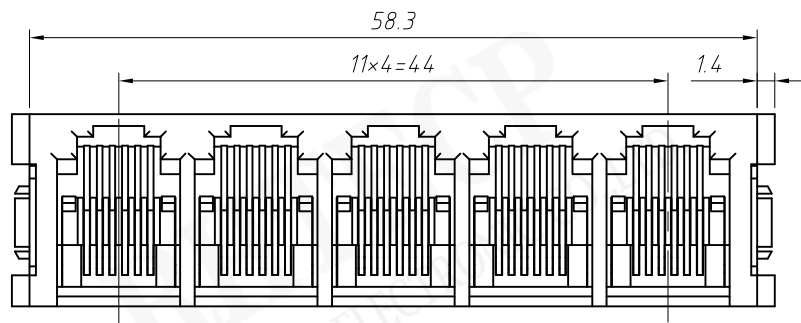
Material:
Housing: PBT+Glass Filled Polyester
Flammability Rating : UL94V-0
Contacts: Phosphor Bronze $\phi 0.46\text{mm}$
Plating: Gold Plating
PEG: Steel, Tin Plating

Electrical:
Voltage Rating: 125VAC
Current Rating: 1.5A
Contact Resistance: $30\text{m}\Omega$ Max.
Insulation Resistance: $500\text{M}\Omega$ Min.
Dielectric Strength: 1000VAC Rms
50Hz, 1 Min.
Durability: 600 cycles Min.
Operation Temperature: $-40^{\circ}\text{C} \sim +70^{\circ}\text{C}$

Order Information

RE-C-303-6P6C-1x4-1-2-XX-B

Contacts: 6P6C
Peg Code: 1-With IRON PEG
Insert Angle: 2-180°(Straight)
Plating Code:
01-Fu" Gold Plating
02-3u" Gold Plating
03-6u" Gold Plating
04-15u" Gold Plating
05-30u" Gold Plating
Color Code: B-Black
G-Gray



PCB Layout

Material:
Housing: PBT+Glass Filled Polyester
Flammability Rating: UL94V-0
Contacts: Phosphor Bronze $\phi 0.46\text{mm}$
Plating: Gold Plating
PEG: Steel, Tin Plating

Electrical:
Voltage Rating: 125VAC
Current Rating: 1.5A
Contact Resistance: 30m Ω Max.
Insulation Resistance: 500M Ω Min.
Dielectric Strength: 1000VAC Rms 50Hz, 1 Min.
Durability: 600 cycles Min.
Operation Temperature: -40°C ~ +70°C

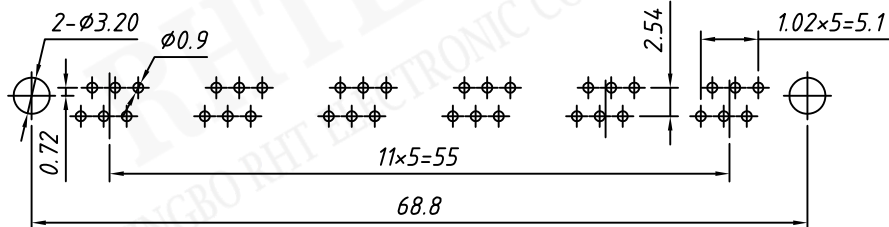
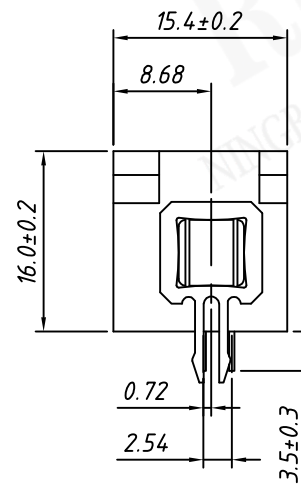
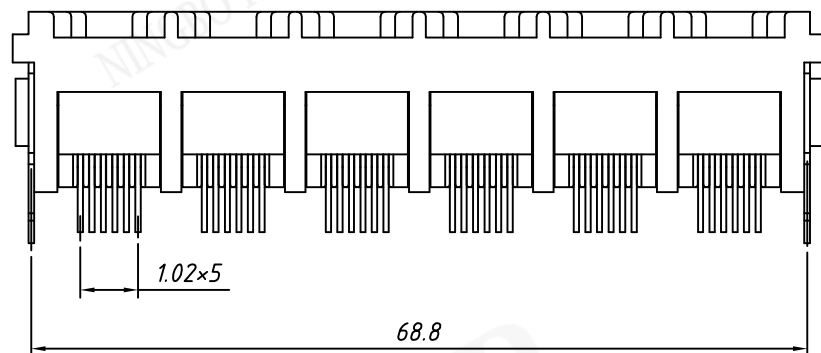
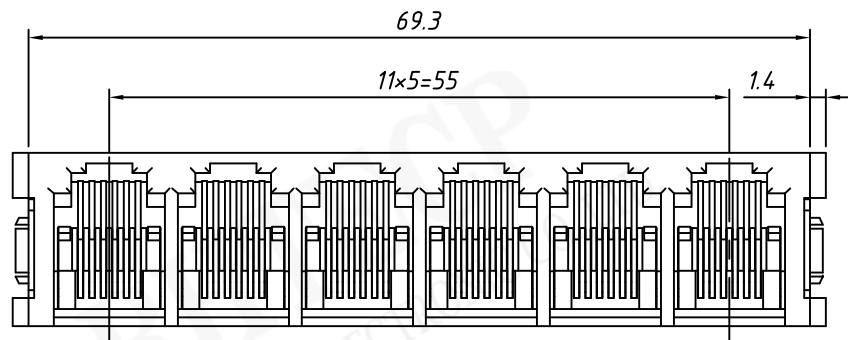
Order Information

RE-C-303-6P6C-1x5-1-2-XX-B

Contacts: 6P6C
Peg Code: 1-With IRON PEG
Insert Angle: 2-180°(Straight)
Plating Code:

- 01-Fu" Gold Plating
- 02-3u" Gold Plating
- 03-6u" Gold Plating
- 04-15u" Gold Plating
- 05-30u" Gold Plating

Color Code: B-Black
 G-Gray



PCB Layout

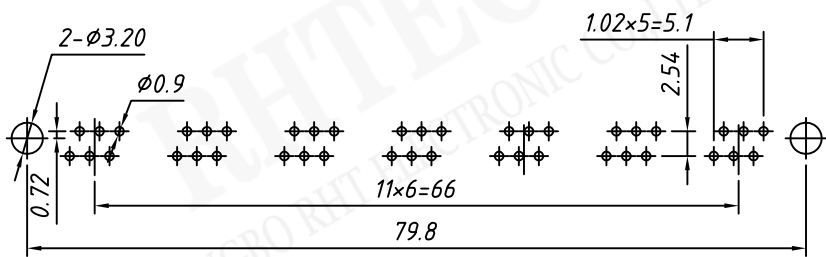
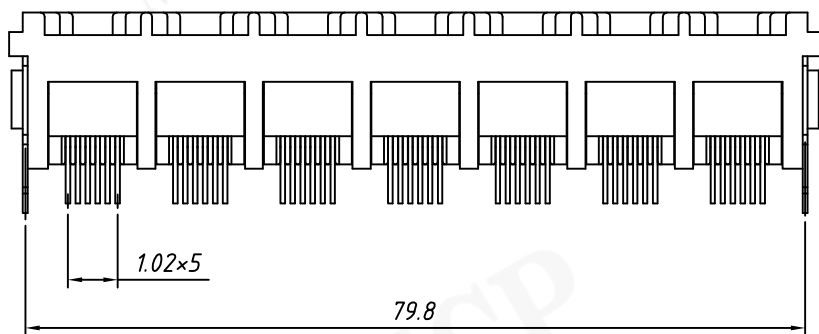
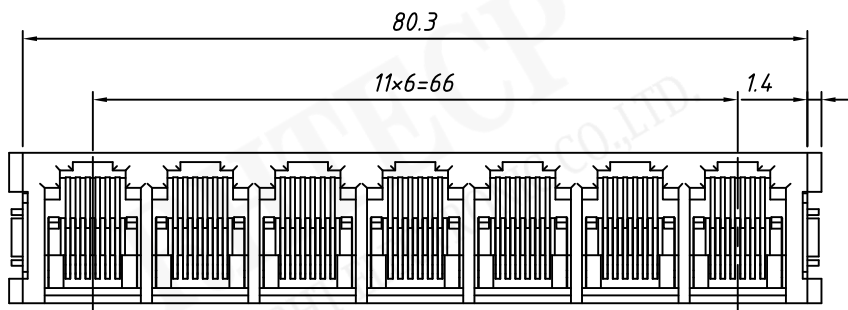
Material:
Housing: PBT+Glass Filled Polyester
Flammability Rating: UL94V-0
Contacts: Phosphor Bronze $\phi 0.46\text{mm}$
Plating: Gold Plating
PEG: Steel, Tin Plating

Electrical:
Voltage Rating: 125VAC
Current Rating: 1.5A
Contact Resistance: 30m Ω Max.
Insulation Resistance: 500M Ω Min.
Dielectric Strength: 1000VAC Rms 50Hz, 1 Min.
Durability: 600 cycles Min.
Operation Temperature: -40°C ~ +70°C

Order Information

RE-C-303-6P6C-1x6-1-2-XX-B

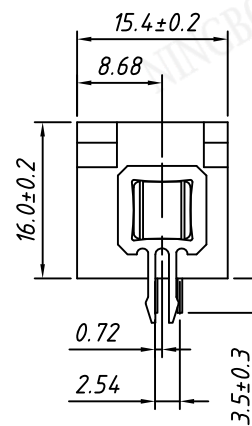
Contacts: 6P6C
Peg Code: 1-With IRON PEG
Insert Angle: 2-180°(Straight)
Plating Code:
 01-Fu" Gold Plating
 02-3u" Gold Plating
 03-6u" Gold Plating
 04-15u" Gold Plating
 05-30u" Gold Plating
Color Code: B-Black
 G-Gray



PCB Layout

Material:
 Housing: PBT+Glass Filled Polyester
 Flammability Rating : UL94V-0
 Contacts: Phosphor Bronze $\phi 0.46\text{mm}$
 Plating: Gold Plating
 PEG: Steel, Tin Plating

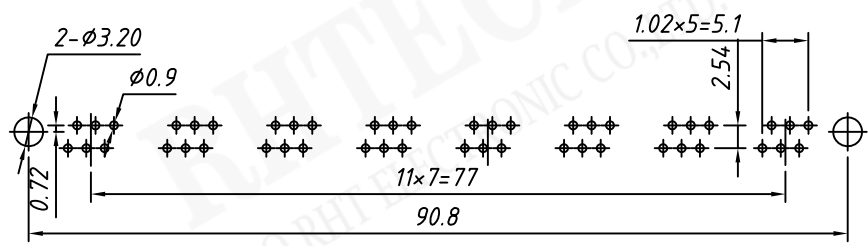
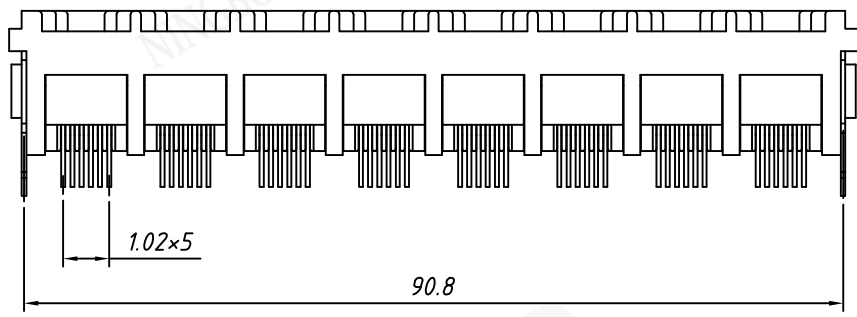
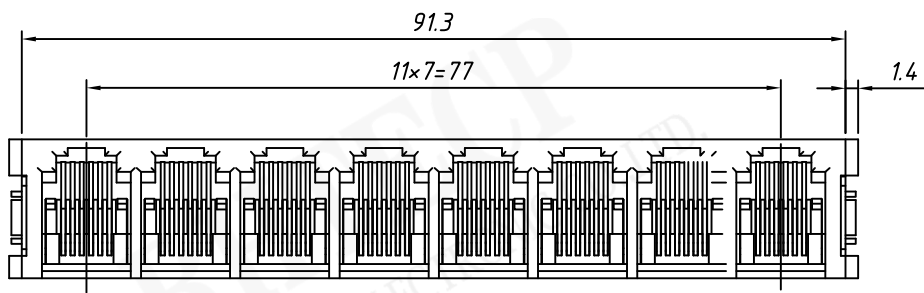
Electrical:
 Voltage Rating: 125VAC
 Current Rating: 1.5A
 Contact Resistance: 30m Ω Max.
 Insulation Resistance: 500M Ω Min.
 Dielectric Strength: 1000VAC Rms 50Hz, 1 Min.
 Durability: 600 cycles Min.
 Operation Temperature: -40°C ~ +70°C



Order Information

RE-C-303-6P6C-1x7-1-2-XX-B

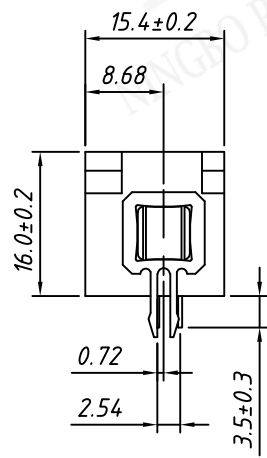
Contacts: 6P6C
 Peg Code: 1-With IRON PEG
 Insert Angle: 2-180°(Straight)
 Plating Code:
 01-Fu" Gold Plating
 02-3u" Gold Plating
 03-6u" Gold Plating
 04-15u" Gold Plating
 05-30u" Gold Plating
 Color Code: B-Black
 G-Gray



PCB Layout

Material:
Housing: PBT+Glass Filled Polyester
Flammability Rating: UL94V-0
Contacts: Phosphor Bronze $\phi 0.46\text{mm}$
Plating: Gold Plating
PEG: Steel, Tin Plating

Electrical:
Voltage Rating: 125VAC
Current Rating: 1.5A
Contact Resistance: $30\text{m}\Omega$ Max.
Insulation Resistance: $500\text{M}\Omega$ Min.
Dielectric Strength: 1000VAC Rms 50Hz, 1 Min.
Durability: 600 cycles Min.
Operation Temperature: $-40^{\circ}\text{C} \sim +70^{\circ}\text{C}$



Order Information

RE-C-303-6P6C-1x8-1-2-XX-B

Contacts: 6P6C
Peg Code: 1-With IRON PEG
Insert Angle: 2-180°(Straight)
Plating Code:
01-Fu" Gold Plating
02-3u" Gold Plating
03-6u" Gold Plating
04-15u" Gold Plating
05-30u" Gold Plating
Color Code: B-Black
G-Gray



| UNITS:mm | SHEET SIZE:A4 | SCALE:--- |
|----------|---------------|-----------|
| >0~3 | >3~18 | >18~50 |
| ±0.12 | ±0.15 | ±0.5 |

RE-C-303-6P6C-1x8-1-2-XX-B
CONNECTORS