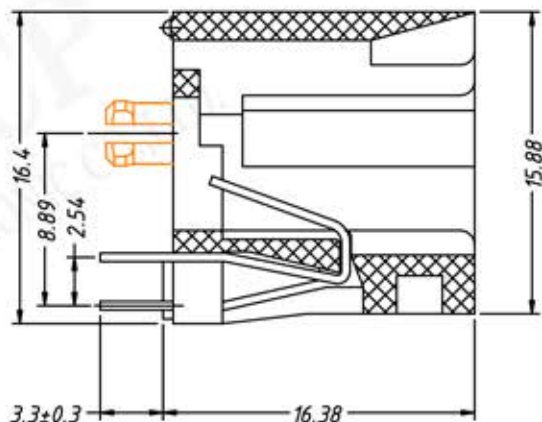
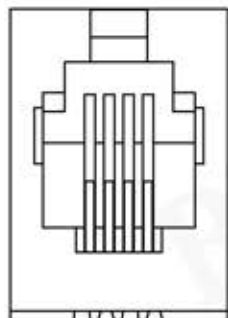
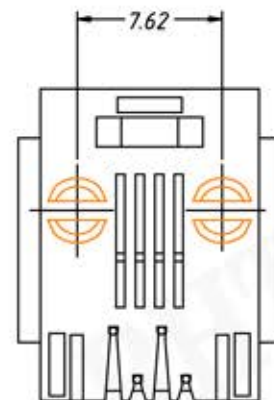


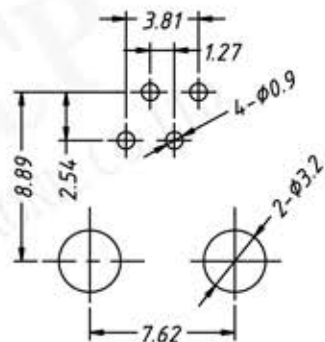
With Panel



SECTION A-A



Without Panel



PCB Layout

**Material:**  
**Housing:** PBT+Glass Filled Polyester  
**Flammability Rating:** UL94V-0  
**Contacts:** Phosphor Bronze  $\phi 0.46\text{mm}$   
**Plating:** Gold Plating

**Electrical:**  
**Voltage Rating:** 125VAC  
**Current Rating:** 1.5A  
**Contact Resistance:** 30m $\Omega$  Max.  
**Insulation Resistance:** 500M $\Omega$  Min.  
**Dielectric Strength:** 1000VAC Rms 50Hz, 1 Min.  
**Durability:** 600 cycles Min.  
**Operation Temperature:** -40°C ~ +70°C

**Order Information**

RE - C - 153 - 4P4C - X - X - 1 - XX

**Contacts:** 4P4C  
**Panel Code:** W-with Panel  
 W/O-without Panel  
**Peg Code:** L-L Peg S-Split Peg  
**Color Code:** 1-Black  
**Plating Code:**  
 01-Fu" Gold Plating  
 02-3u" Gold Plating  
 03-6u" Gold Plating  
 04-15u" Gold Plating  
 05-30u" Gold Plating

