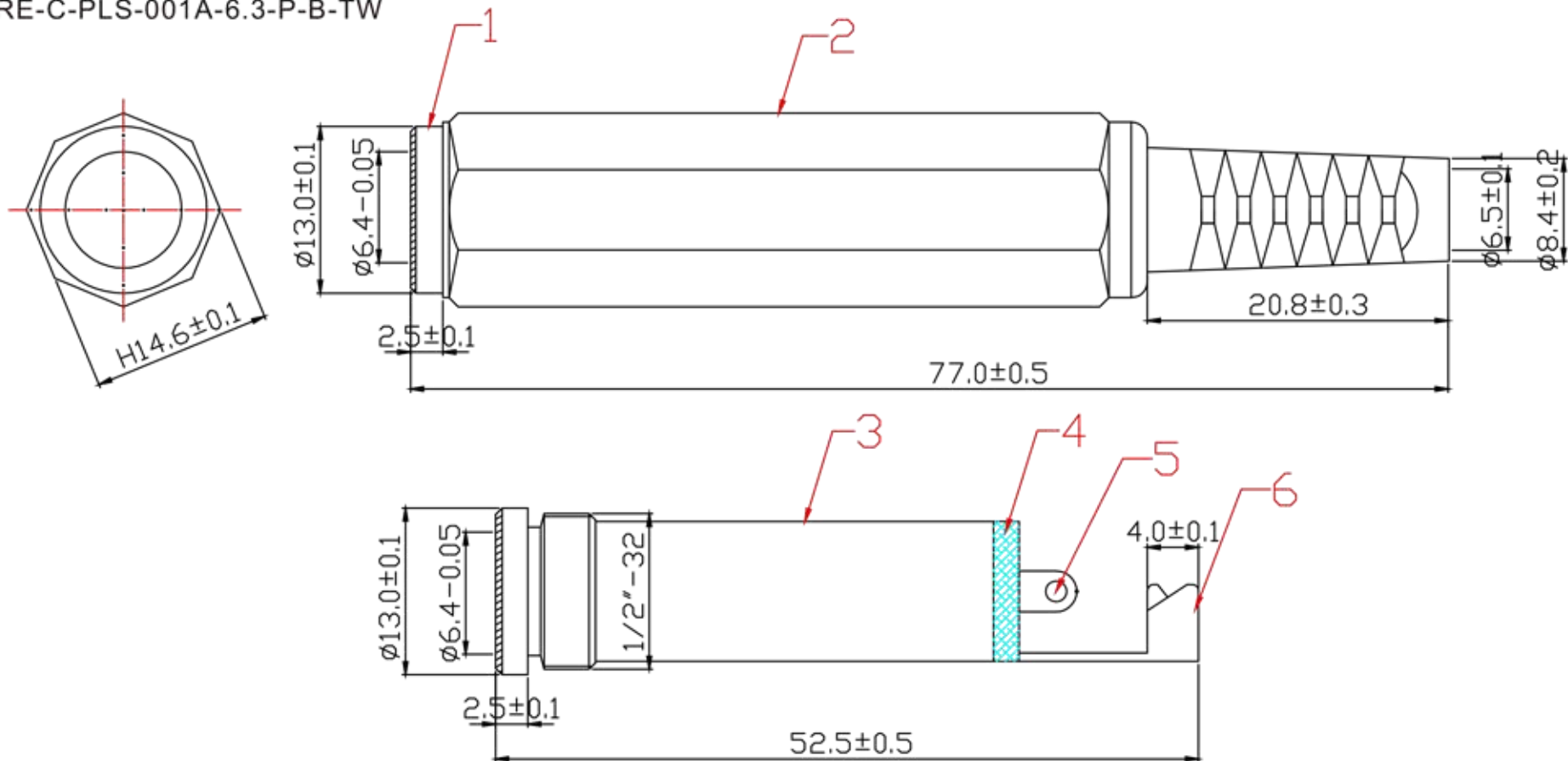


P/N:RE-C-PLS-001A-6.3-P-B-TW



6	CRIMPING PATCH	BRASS
5	SOLDERING PATCH	BRASS
4	DIELECTRIC	ABS
3	METAL TUBE	AL
2	PLASTIC HANDLE	PE
1	BODY	BRASS

ITEM	DESIGNATION	MATERIAL
------	-------------	----------

**RHTECP** NINGBO RHT ELECTRONIC CO.,LTD

UNITS:mm

SHEET SIZE:A4

SCALE:---

First angle projection

> 0~3

> 3~18

> 18~50

> 50~120

± 0.12

± 0.15

± 0.3

± 0.5

CONNECTOR