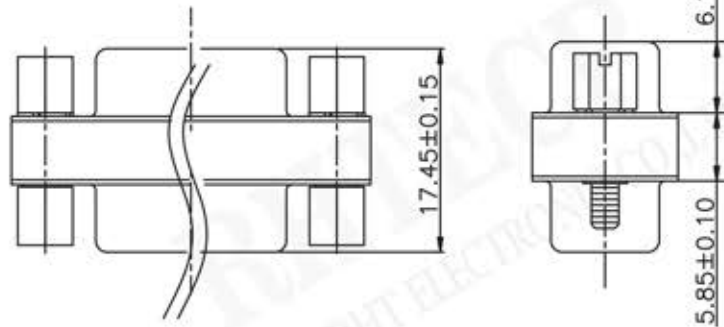


Screw specification



PIN NO.	DIM A	DIM B	DIM C
9P	30.80	24.99	16.35
15P	39.20	33.30	24.70
25P	53.05	47.04	38.40
37P	69.32	63.50	54.80

## D-SUB Series

RE-C-185 MINI ADAPTOR DB 9-25Pin Female-Female

### Electrical Specification:

Current Rating: 2 AMP  
 Insulator Resistance: 5000M ohms min. at DC 500V  
 Contact Resistance: 20m ohms max. at DC 100mA  
 Operating Temperature: -55°C~+105°C

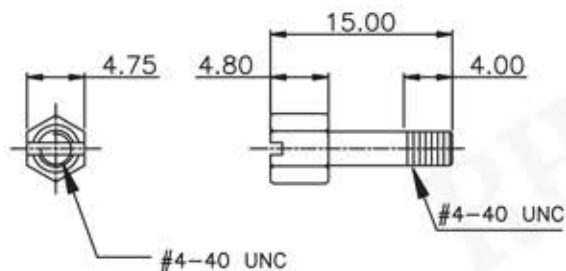
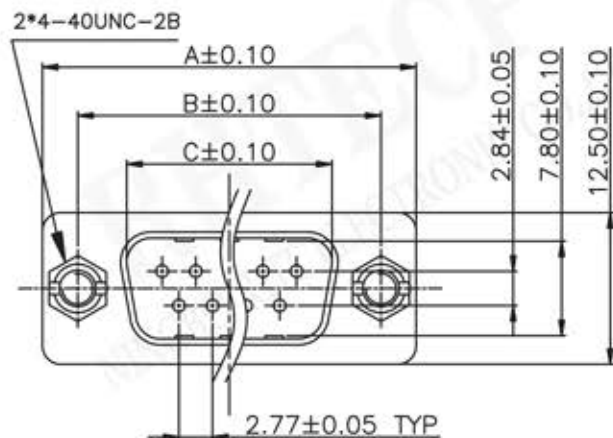
### Material:

Housing: 30% Glass filled PBT UL94V-0  
 Contacts: Phosphor Bronze  
 Shell: Steel, 100u" Tin Over 50u" min Nickel  
 Clinch Nut: Brass, 100u" min Nickel Plated  
 Screwlock: Brass, 100u" min Nickel Plated

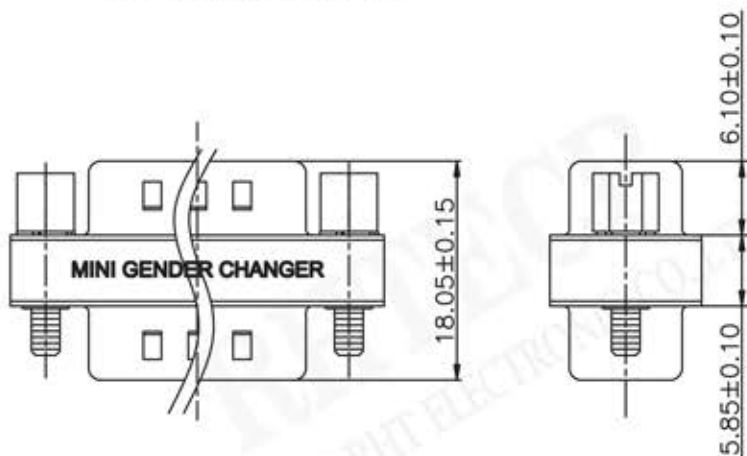
## ORDER INFORMATION

Product NO.: RE-C -185-XXF/XXF -L





Screw specification



PIN NO.	DIM A	DIM B	DIM C
9P	30.80	24.99	16.92
15P	39.20	33.30	25.25
25P	53.05	47.04	38.96
37P	69.32	63.50	54.84

## D-SUB Series

RE-C-185M MINI ADAPTOR DB 9-25Pin Male-Male

### Electrical Specification:

Current Rating: 2 AMP  
 Insulator Resistance: 5000M ohms min. at DC 500V  
 Contact Resistance: 20m ohms max. at DC 100mA  
 Operating Temperature: -55°C~+105°C

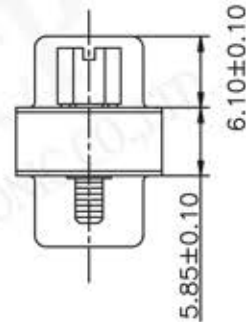
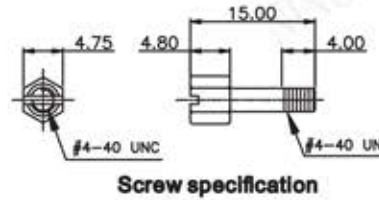
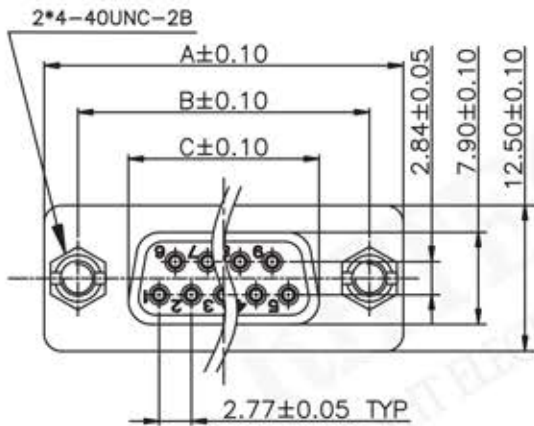
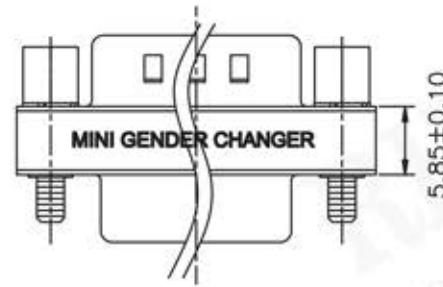
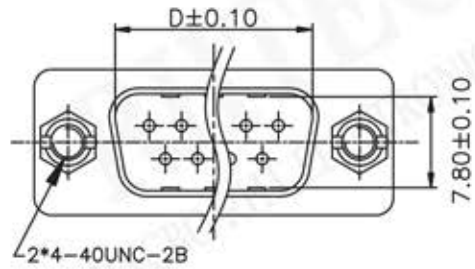
### Material:

Housing: 30% Glass filled PBT UL94V-0  
 Contacts: Phosphor Bronze  
 Shell: Steel, 100u" Tin Over 50u" min Nickel  
 Clinch Nut: Brass, 100u" min Nickel Plated  
 Screwlock: Brass, 100u" min Nickel Plated

## ORDER INFORMATION

Product NO.: RE-C -185-XXM/XXM -L

Pos. NO. 001+001 pos. L=Blue B=Black  
 Contact Number of Row 185x2 Row type  
 Number of Contacts 9M/9M 15M/15M 25M/25M 37M/37M 15M/15F 25M/25F 37M/37F 15M/15F 25M/25F



PIN NO.	DIM A	DIM B	DIM C
9P	30.80	24.99	16.35
15P	39.20	33.30	24.70
25P	53.05	47.04	38.40
37P	69.32	63.50	54.80

## D-SUB Series

RE-C-185M-F MINI ADAPTOR DB 9-25Pin Male-Female

### Electrical Specification:

Current Rating: 2 AMP  
 Insulator Resistance: 5000M ohms min. at DC 500V  
 Contact Resistance: 20m ohms max. at DC 100mA  
 Operating Temperature: -55°C~+105°C

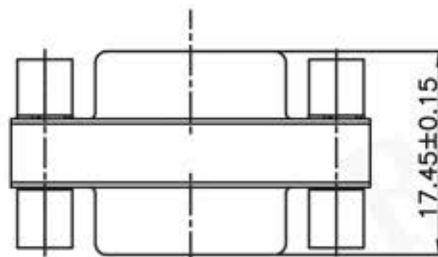
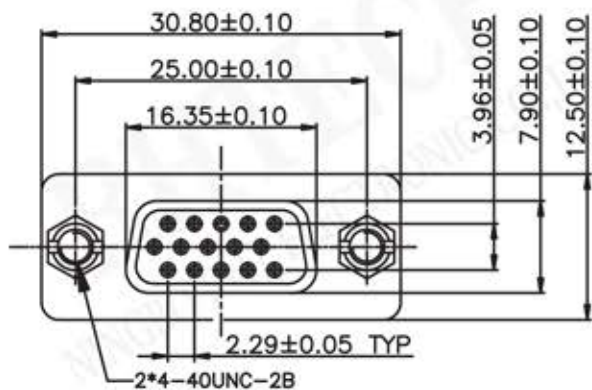
### Material:

Housing: 30% Glass filled PBT UL94V-0  
 Contacts: Phosphor Bronze  
 Shell: Steel, 100u" Tin Over 50u" min Nickel  
 Clinch Nut: Brass, 100u" min Nickel Plated  
 Screwlock: Brass, 100u" min Nickel Plated

## ORDER INFORMATION

Product NO.: RE-C -185 - XXM/XXF -L

Pos. NO. 001+001 pos. L=Blue B=Black  
 Number of Contacts 9M/9F 15M/15F 25M/25F 37M/37F  
 Contact Number of Row 185+2 Row Type 9M/9F 15M/15F 25M/25F



## D-SUB Series

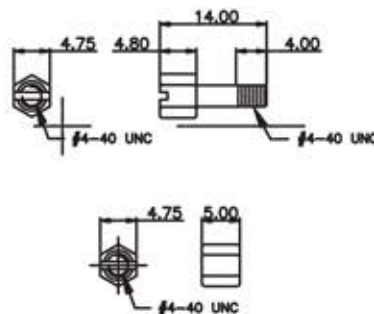
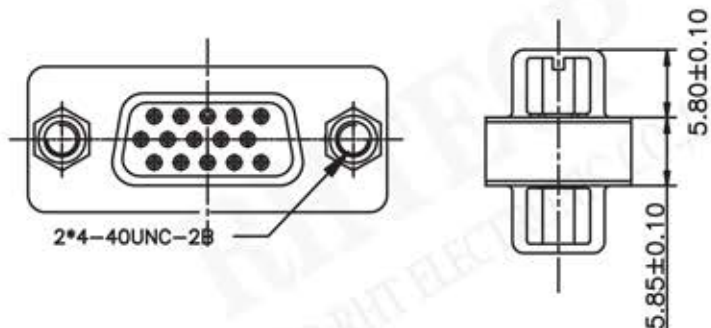
RE-C-186 MINI ADAPTOR HDB 9-25Pin Female-Female

### Electrical Specification:

Current Rating: 2 AMP  
 Insulator Resistance: 5000M ohms min. at DC 500V  
 Contact Resistance: 20m ohms max. at DC 100mA  
 Operating Temperature: -55°C~+105°C

### Material:

Housing: 30% Glass filled PBT UL94V-0  
 Contacts: Phosphor Bronze  
 Shell: Steel, 100u" Tin Over 50u" min Nickel  
 Clinch Nut: Brass, 100u" min Nickel Plated  
 Screwlock: Brass, 100u" min Nickel Plated

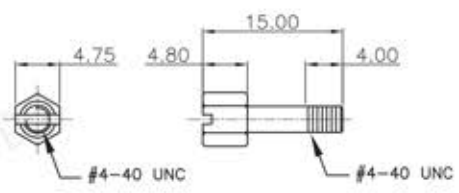
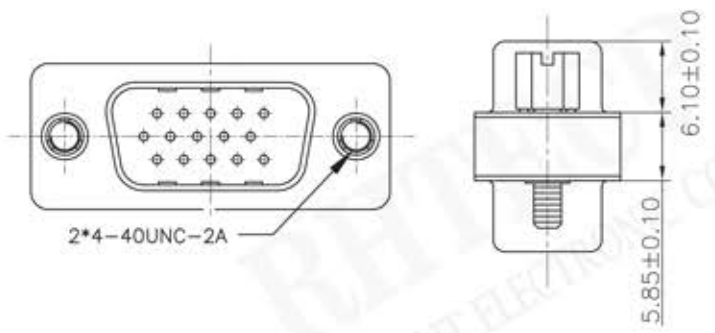
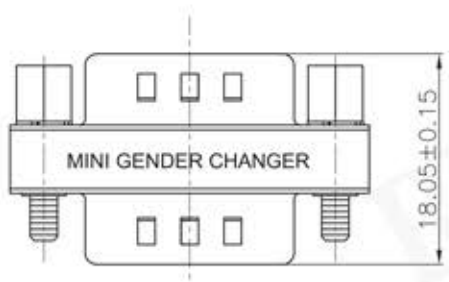
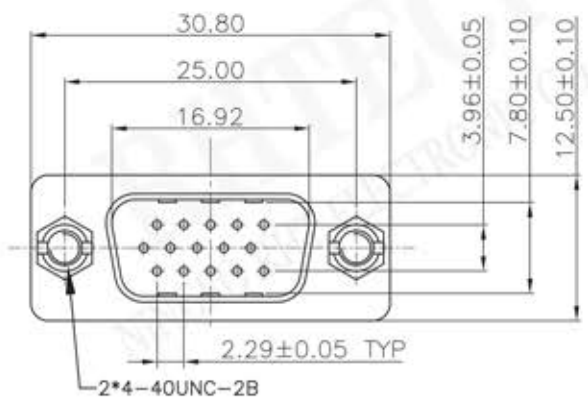


Screw specification

## ORDER INFORMATION

Product NO.: RE-C - 186 - XXF/XXF -L

Pos. NO. 001001 pos. L=Blue B=Black  
 Contact Number of Row 186\*3 Row Type Number of Contacts 15M/15M 15F/15F 15M/15F



Screw specification

## D-SUB Series

RE-C-186 MINI ADAPTOR HDB 9-25Pin Male-Male

### Electrical Specification:

- Current Rating: 2 AMP
- Insulator Resistance: 5000M ohms min. at DC 500V
- Contact Resistance: 20m ohms max. at DC 100mA
- Operating Temperature: -55°C~+105°C

### Material:

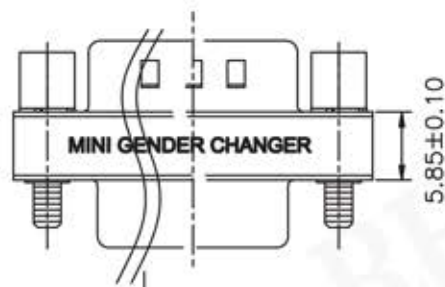
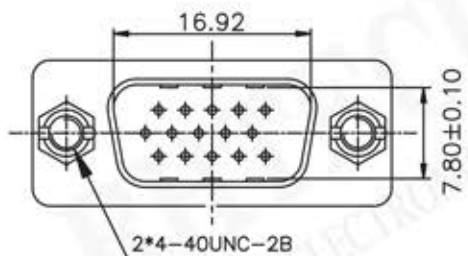
- Housing: 30% Glass filled PBT UL94V-0
- Contacts: Phosphor Bronze
- Shell: Steel, 100u" Tin Over 50u" min Nickel
- Clinch Nut: Brass, 100u" min Nickel Plated
- Screwlock: Brass, 100u" min Nickel Plated

## ORDER INFORMATION

Product NO.: RE-C -186-15M/15M -L



UNITS:mm	SHEET SIZE:A4		SCALE: ---
> 0~ 3	> 3~ 18	> 18~ 50	> 50~ 120
± 0.12	± 0.15	± 0.3	± 0.5



## D-SUB Series

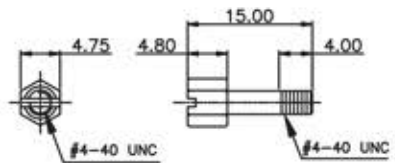
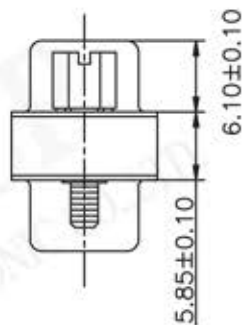
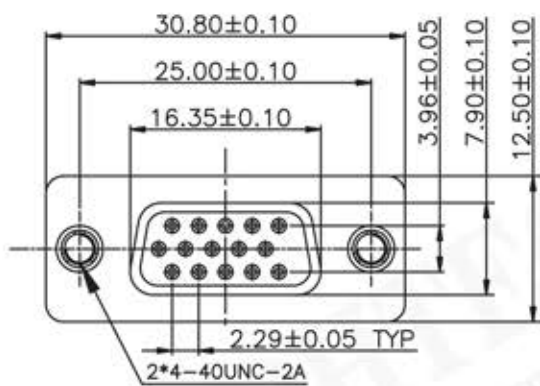
RE-C-186 MINI ADAPTOR HDB 9-25Pin Male-Female

### Electrical Specification:

Current Rating: 2 AMP  
 Insulator Resistance: 5000M ohms min. at DC 500V  
 Contact Resistance: 20m ohms max. at DC 100mA  
 Operating Temperature: -55°C~+105°C

### Material:

Housing: 30% Glass filled PBT UL94V-0  
 Contacts: Phosphor Bronze  
 Shell: Steel, 100u" Tin Over 50u" min Nickel  
 Clinch Nut: Brass, 100u" min Nickel Plated  
 Screwlock: Brass, 100u" min Nickel Plated



Screw specification

## ORDER INFORMATION

Product NO.: RE-C -186 - 15M/15F -L  
 Pos. NO. 001=001 pos. L=Blue B=Black  
 Contact Number of Row 15M=3 Row Type Number of Contacts 15M/15M 15F/15F 15M/15F

UNITS:mm	SHEET SIZE:A4		SCALE: ---
> 0 ~ 3	> 3 ~ 18	> 18 ~ 50	> 50 ~ 120
± 0.12	± 0.15	± 0.3	± 0.5