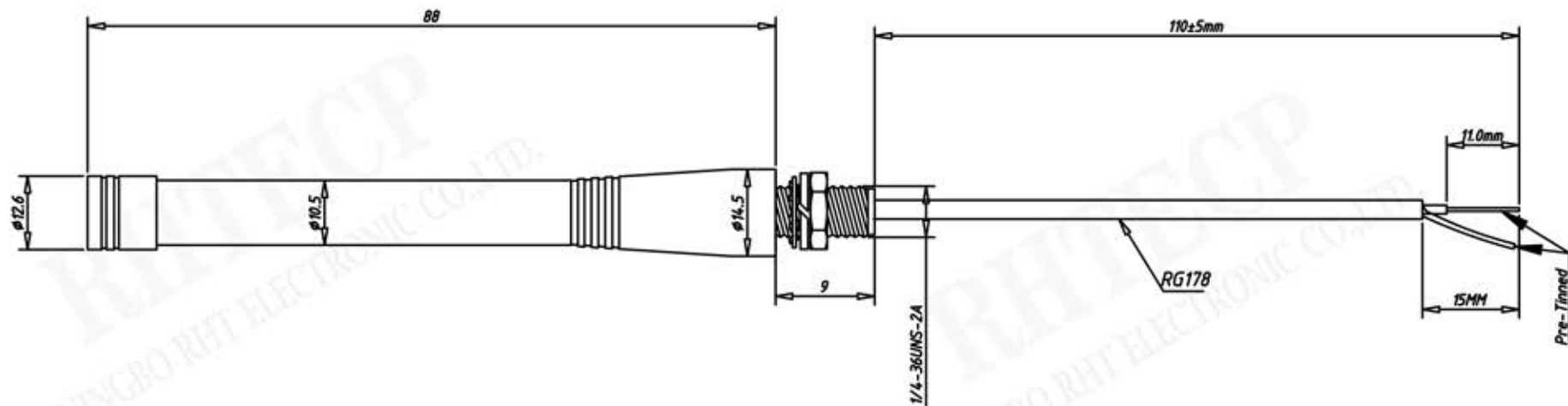
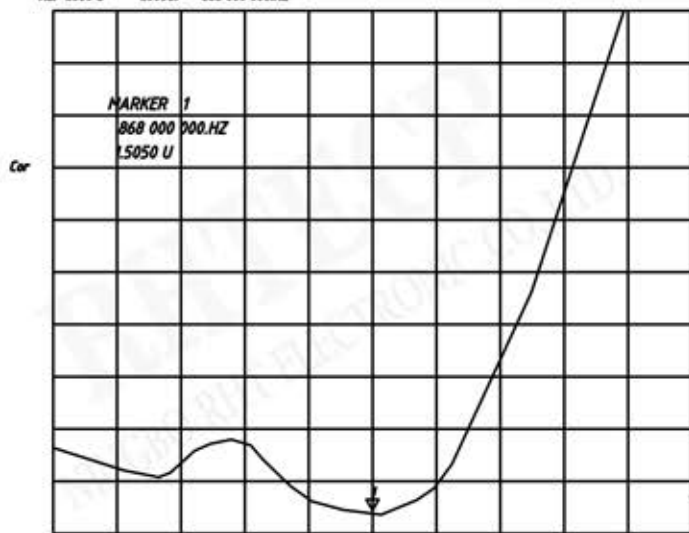


P/N: RE-ANT-86801



CH1 A/R SWR MKR : 15050 U
REF 1.000 U 1.000U/ 868 000 000.HZ



CH1 START 700 000 000.HZ STOP 1 000 000 000.HZ

Specification:

Frequency : 868±20MHz

Gain : 3dBi

Vswr : 2.0 Max.

Impedance : 50 Ω

Polarization : Vertical

Radiation : OMNIDIRECTIONAL

Connector: SMA-K

Cable: RG178

Lightning protection: DC Grounding

Operating Temperature : -30°C to +70°C