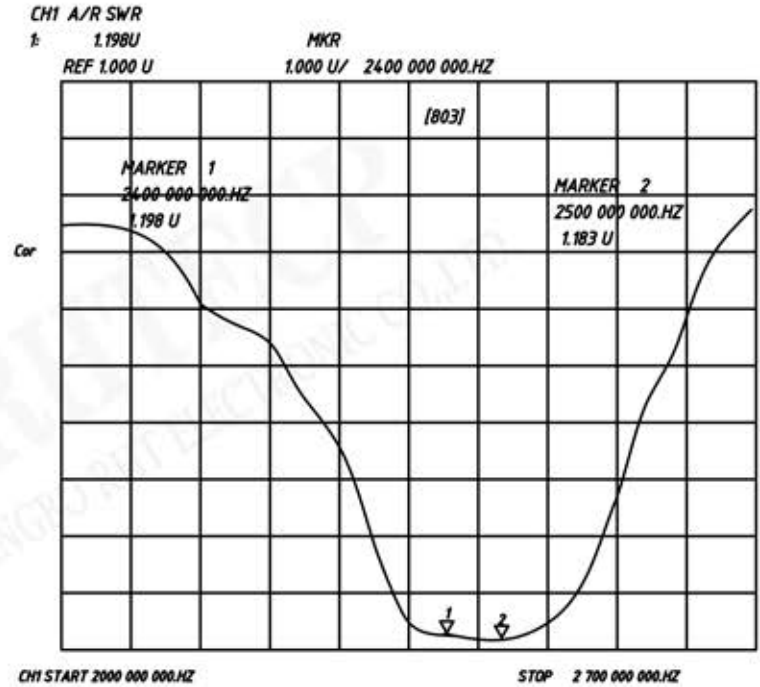
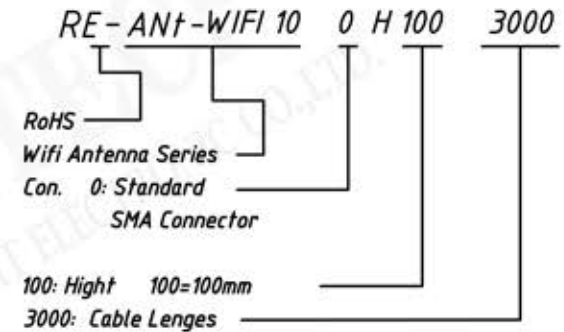


**Specification:**  
 Frequency : 2400 ~ 2500MHz  
 Gain : 5dBi  
 Vswr : 1.5 Max.  
 Impedance : 50  $\Omega$   
 Polarization : Vertical  
 Radiation : OMNIDIRECTIONAL  
 Max power : 20W  
 Size:  $\phi 29.5 \times H \times L$ mm  
 Connector : SMA  
 Cable: RG174, Black  
 Length: 3000mm or Other  
 Lightning protection: DC Grounding  
 Operating Temperature : -30°C to +70°C



**Order Information**



UNITS:mm		SHEET SIZE:A4		SCALE: ---	
> 0 ~ 3	> 3 ~ 18	> 18 ~ 50	> 50 ~ 120		
± 0.12	± 0.15	± 0.3	± 0.5		