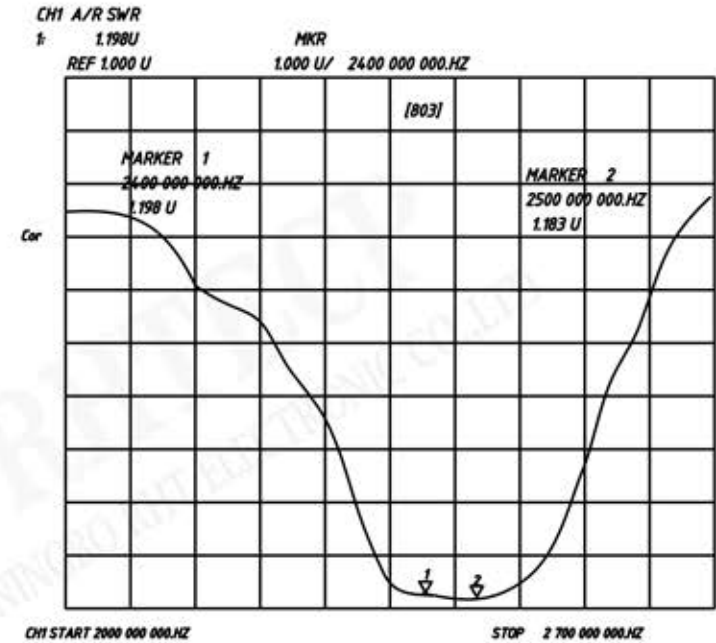
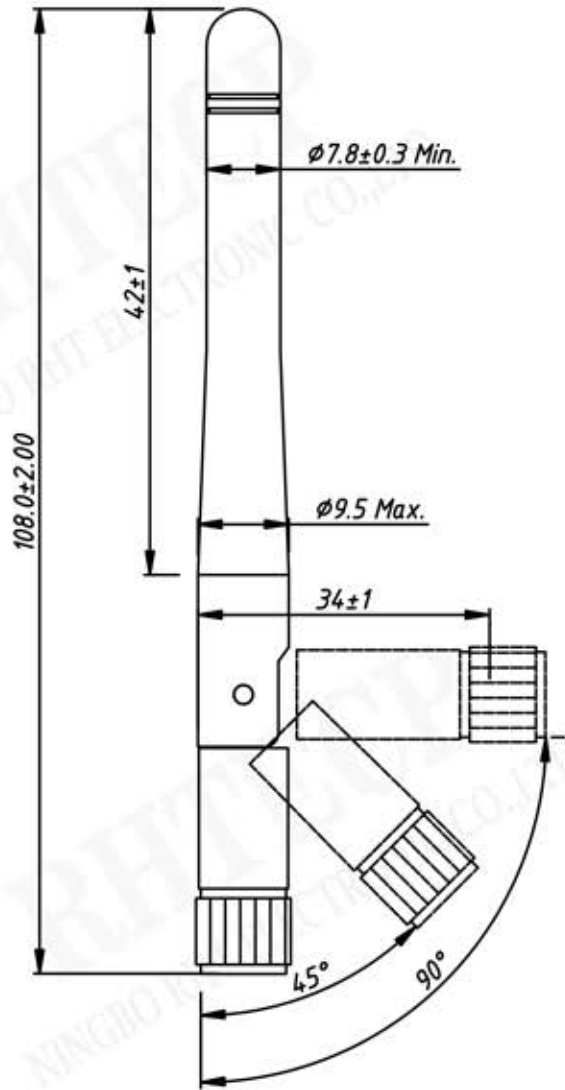


P/N:RE-ANT-WIFI-2.4G-04-MS-108mm



- Specification:
- Frequency : 2400 ~ 2500MHz
 - Gain : 3dBi
 - Vswr : 1.5 Max.
 - Impedance : 50 Ω
 - Polarization : Vertical
 - Radiation : OMNIDIRECTIONAL
 - Max power : 50W
 - Shell material : PVC
 - Connector : SMA Pin
 - Lightning protection: DC Grounding
 - Operating Temperature : -30°C to +70°C

UNITS:mm		SHEET SIZE:A4		SCALE: ---	
> 0 ~ 3	> 3 ~ 18	> 18 ~ 50	> 50 ~ 120		
± 0.12	± 0.15	± 0.3	± 0.5		