

Specification:

Frequency : 824~960/1710~2170MHz

Gain : 7dBi

Vswr : 1.8 Max.

Impedance : 50 Ω

Polarization : Vertical

Radiation : OMNIDIRECTIONAL

Max power : 20W

Connector : SMA-J

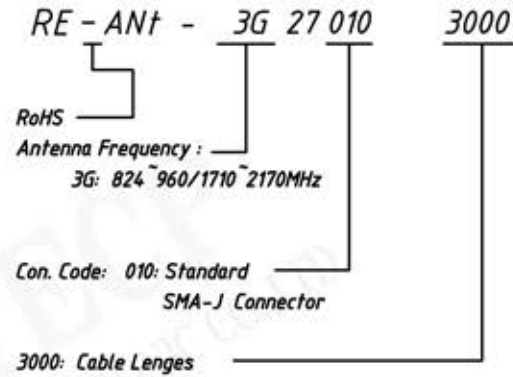
Cable: RG174, Black

Length:3000mm

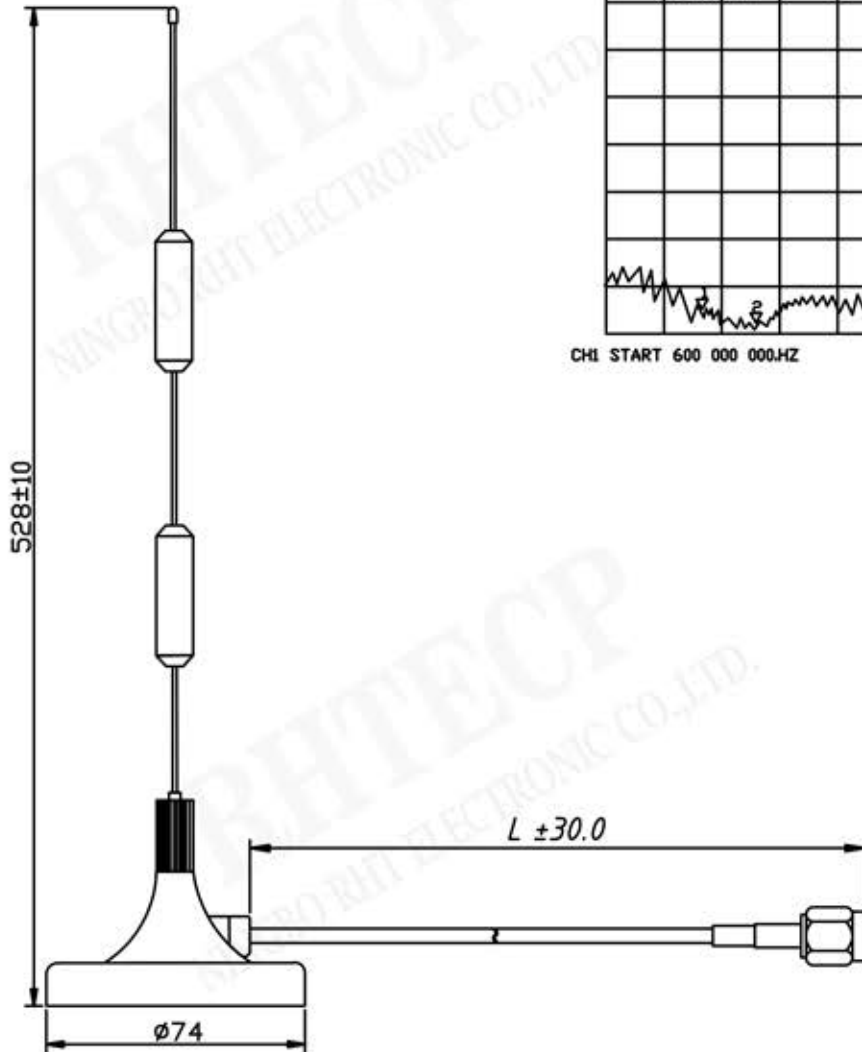
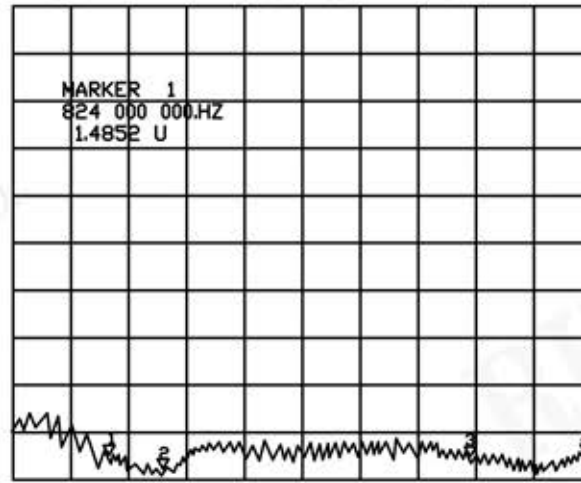
Lightning protection: DC Grounding

Operating Temperature : -30°C to +70°C

Order Information



CHI A/R SWR MKR1: 1.4852 U
REF 1.000 U 1.000U/ 824 000 000.HZ



UNITS:mm		SHEET SIZE:A4		SCALE: ---	
> 0~ 3	> 3~ 18	> 18~ 50	> 50~ 120		
± 0.12	± 0.15	± 0.3	± 0.5		