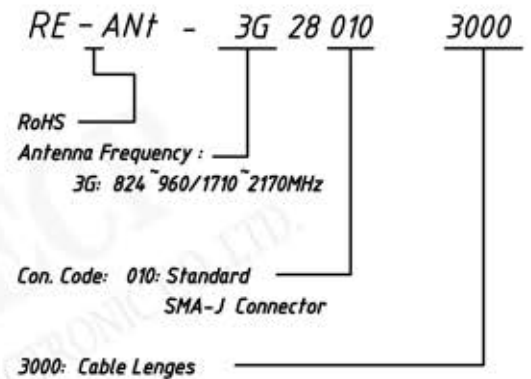


Specification:
 Frequency : 824 ~ 960/1710 ~ 2170MHz
 Gain : 5dBi
 Vswr : 2.0 Max.
 Impedance : 50 Ω
 Polarization : Vertical
 Radiation : OMNIDIRECTIONAL
 Max power : 30W
 Connector : SMA-J
 Cable: RG174, Black
 Length:3000mm
 Lightning protection: B.C Grounding ^{30°C to +70°C}
 Operating Temperatur

Order Information



UNITS:mm		SHEET SIZE:A4		SCALE: ---	
> 0 ~ 3	> 3 ~ 18	> 18 ~ 50	> 50 ~ 120		
± 0.12	± 0.15	± 0.3	± 0.5		