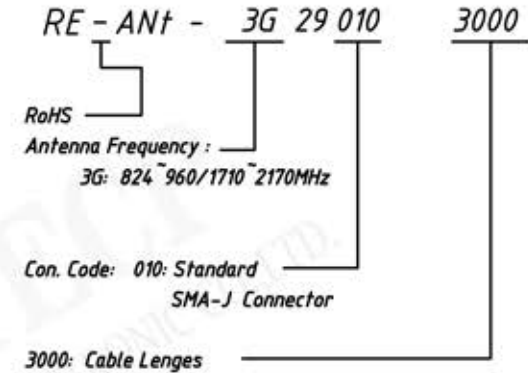


Specification:

- Frequency : 824 ~ 960/1710 ~ 2170MHz
- Gain : 7dBi
- Vswr : 1.5 Max.
- Impedance : 50 Ω
- Polarization : Vertical
- Radiation : OMNIDIRECTIONAL
- Max power : 20W
- Connector : SMA-J
- Cable: RG174, Black
- Length:3000mm
- Lightning protection: DC Grounding
- Operating Temperature : -30°C to +70°C

Order Information



| | | | | | |
|----------|----------|---------------|------------|------------|--|
| UNITS:mm | | SHEET SIZE:A4 | | SCALE: --- | |
| > 0 ~ 3 | > 3 ~ 18 | > 18 ~ 50 | > 50 ~ 120 | | |
| ± 0.12 | ± 0.15 | ± 0.3 | ± 0.5 | | |