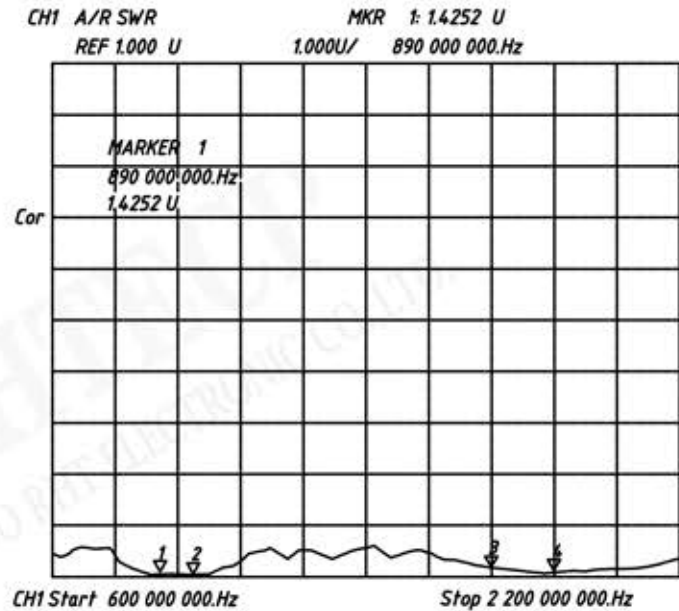
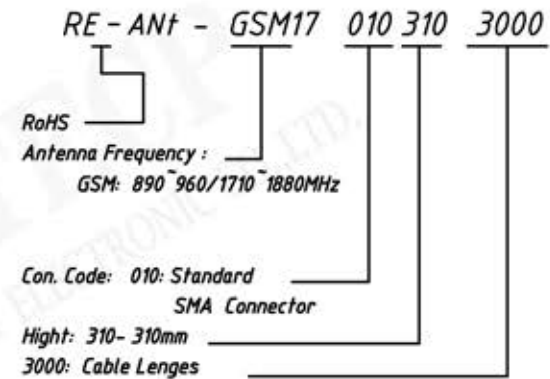


Specification:

- Frequency : 890~960/1710~1880MHz
- Gain : 7dBi
- Vswr : 2.0 Max.
- Impedance : 50 Ω
- Polarization : Vertical
- Radiation : OMNIDIRECTIONAL
- Max power : 50W
- Size: Ø29.5x310mm
- Connector : SMA or Other
- Cable: RG174, Black
- Length:3000mm or Other
- Lightning protection: DC Grounding
- Operating Temperature : -30°C to +70°C



Order Information



UNITS:mm		SHEET SIZE:A4		SCALE: ---	
> 0~ 3	> 3~ 18	> 18~ 50	> 50~ 120		
± 0.12	± 0.15	± 0.3	± 0.5		