

Specification:

Frequency : 890~960/1710~1880MHz

Gain : 2dBi

Vswr : 2.0 Max.

Impedance : 50 Ω

Polarization : Vertical

Radiation : OMNIDIRECTIONAL

Max power : 50W

Shell material : PVC

Size: $\phi 29.5 \times 109$ mm

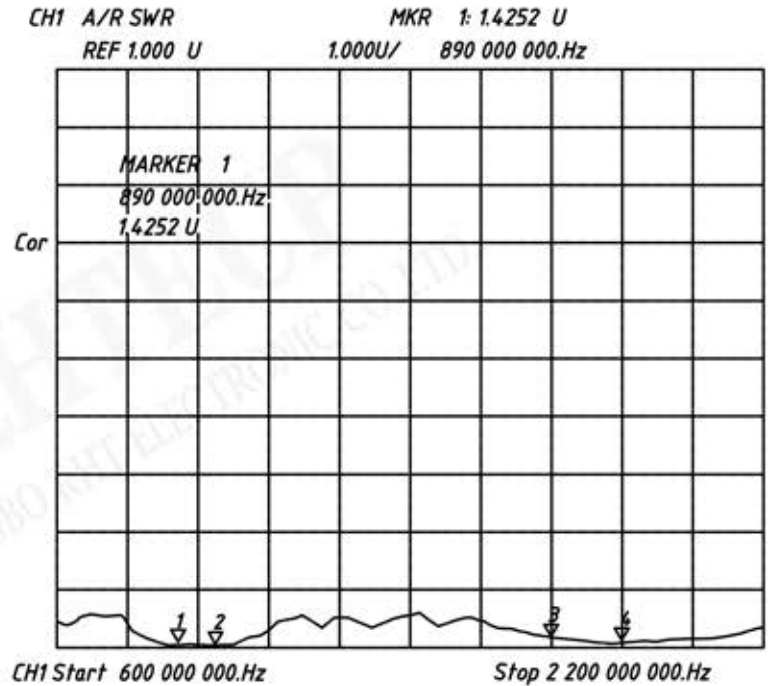
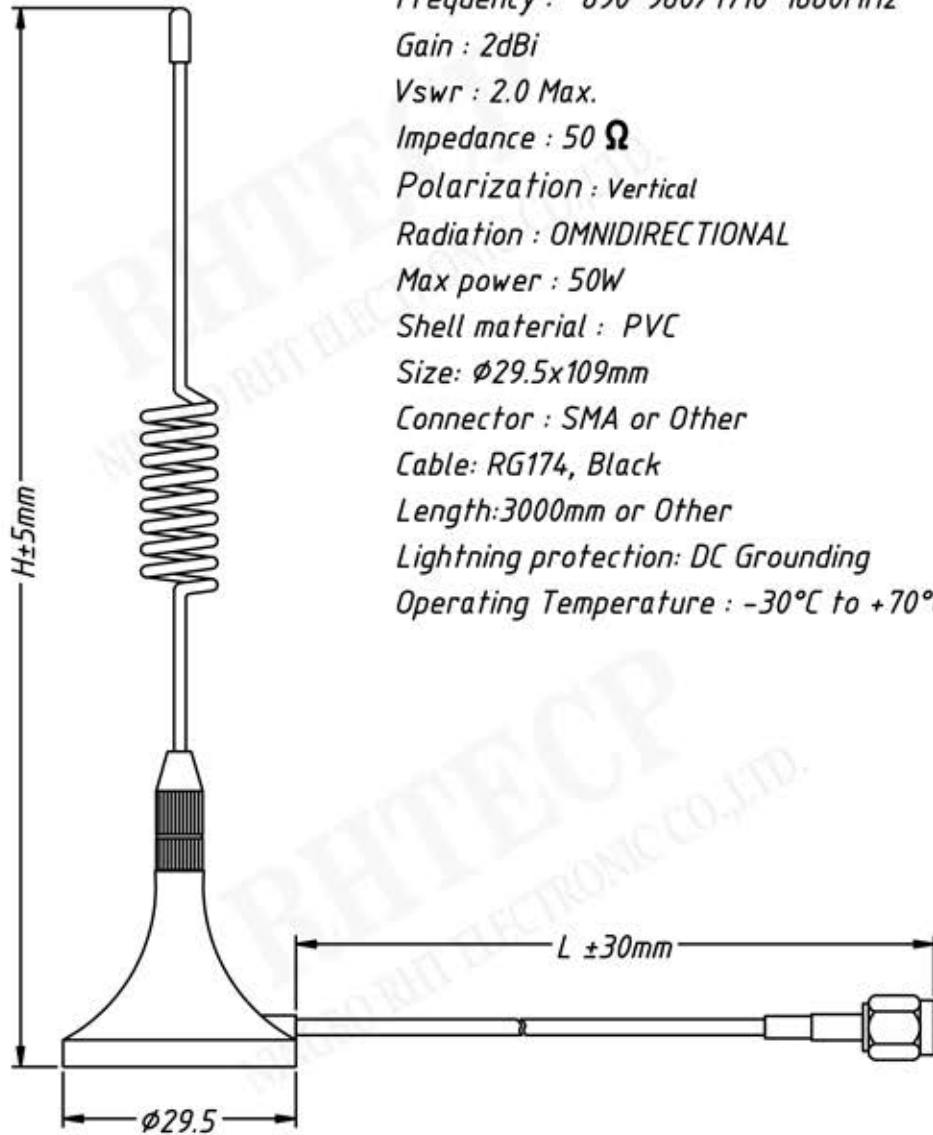
Connector : SMA or Other

Cable: RG174, Black

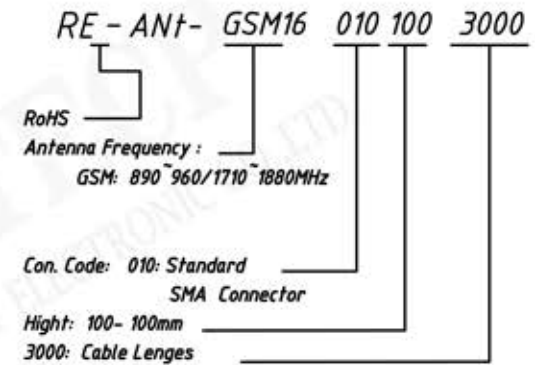
Length: 3000mm or Other

Lightning protection: DC Grounding

Operating Temperature : -30°C to +70°C



Order Information



UNITS:mm		SHEET SIZE:A4		SCALE: ---	
> 0~ 3	> 3~ 18	> 18~ 50	> 50~ 120		
± 0.12	± 0.15	± 0.3	± 0.5		