

**Specification:**

Frequency : 890 ~ 960/1710 ~ 1880MHz

Gain : 2dBi

Vswr : 2.0 Max.

Impedance : 50 Ω

Polarization : Vertical

Radiation : OMNIDIRECTIONAL

Max power : 50W

Shell material : PVC

Size: Ø29.5x109mm

Connector : SMA or Other

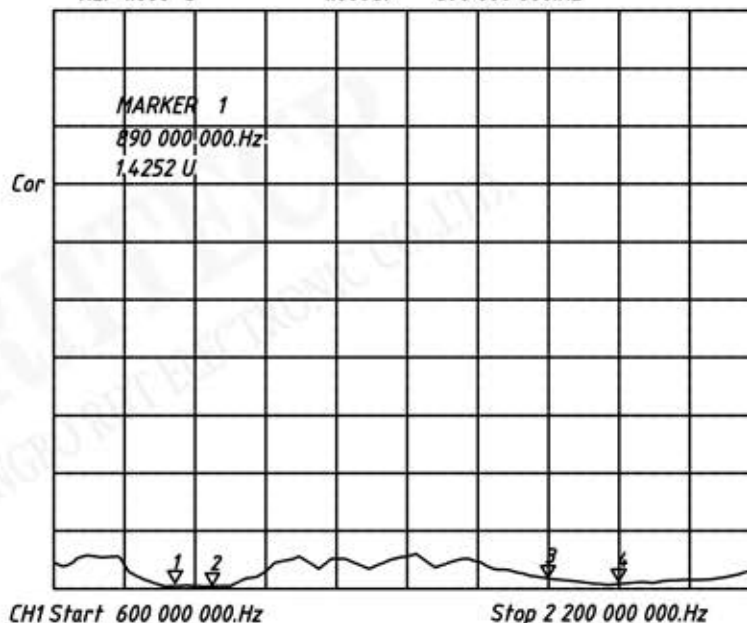
Cable: RG174, Black

Length:3000mm or Other

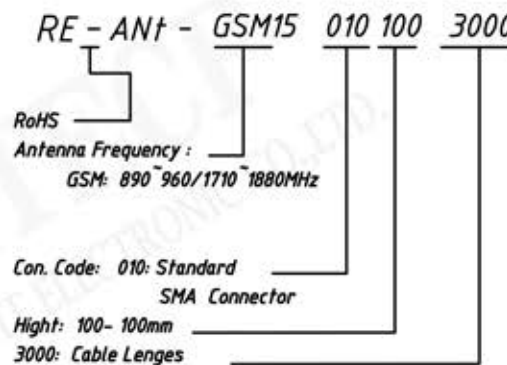
Lightning protection: DC Grounding

Operating Temperature : -30°C to +70°C

CH1 A/R SWR MKR 1: 1.4252 U  
REF 1.000 U 1.000U/ 890 000 000.Hz



**Order Information**



UNITS:mm		SHEET SIZE:A4		SCALE: ---	
> 0 ~ 3	> 3 ~ 18	> 18 ~ 50	> 50 ~ 120		
± 0.12	± 0.15	± 0.3	± 0.5		