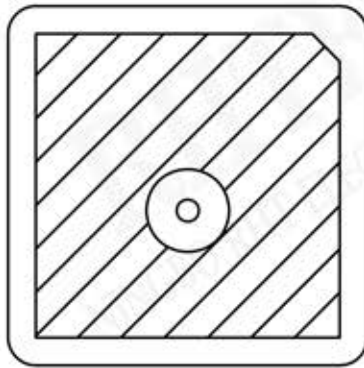
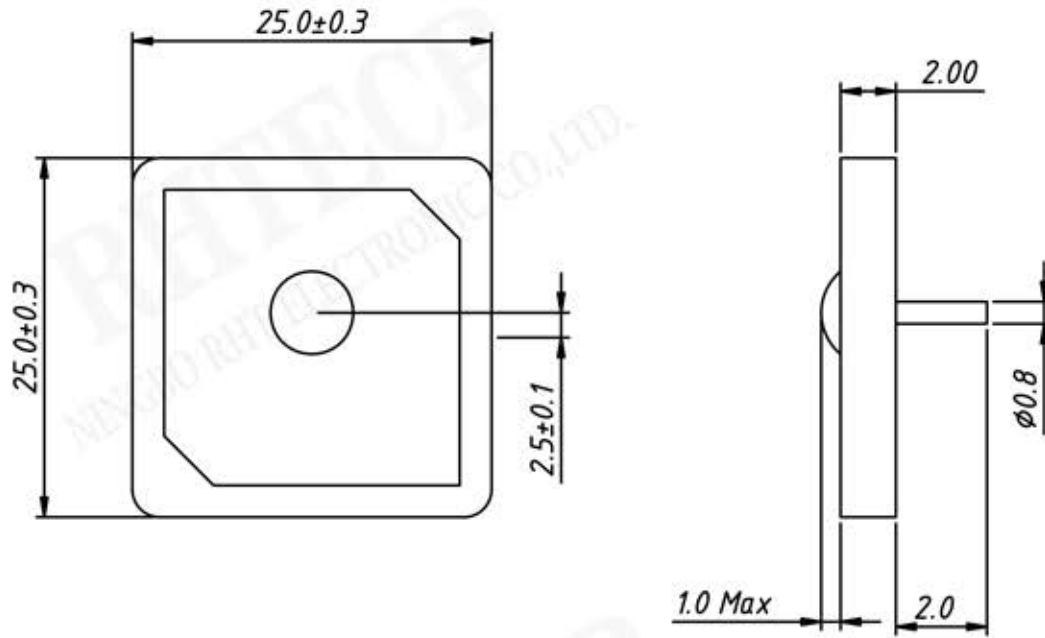


P/N: RE-ANT-C2520-1575



Specification:

Frequency Range: 1575.42±3MHz
Band Width : 5.0MHz Min.
Polarization: RHCP
In/Out Impedance: 50Ω
Gain: 3.0dBi (Zenith)
V.S.W.R: 1.5 Max.
Axial Ratio : 5.0dB Max.
Operating Temperature : -40℃ ~ +85℃

UNITS:mm		SHEET SIZE:A4		SCALE: ---	
> 0~ 3	> 3~ 18	> 18~ 50	> 50~ 120		
± 0.12	± 0.15	± 0.3	± 0.5		