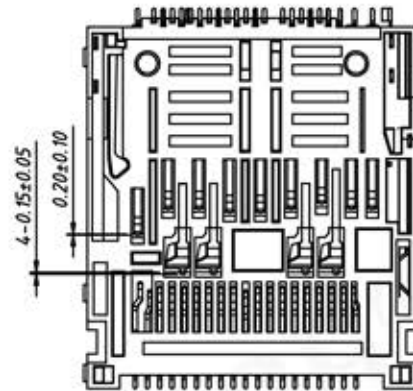
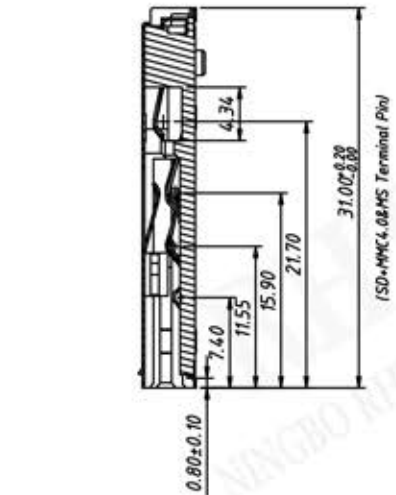
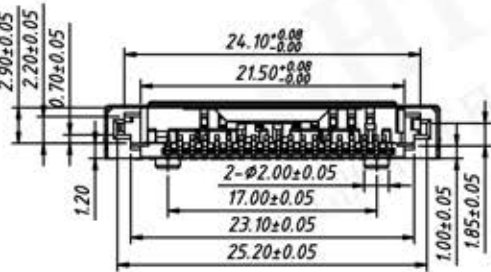
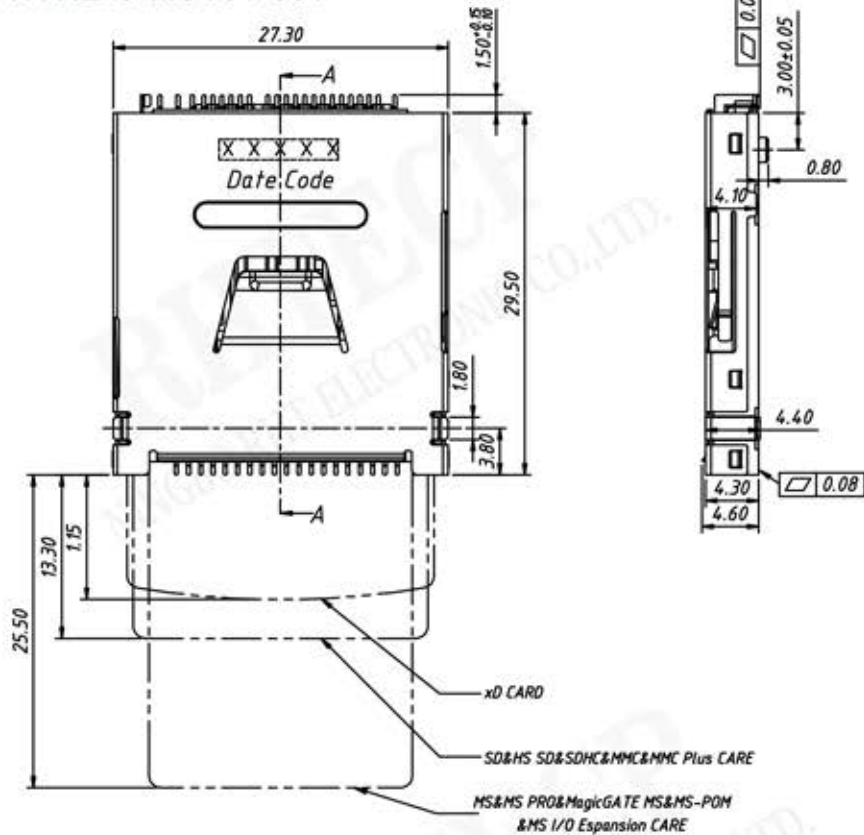


P/N: RE-C-MUT51-001



Material:

Insulator: Hi-Temperature Plastic, UL 94V-0, Black.

Terminal: Copper Alloy, Selective gold flash plating on contact area, and 50u" min nickel underplated on allover.

Shell: Stainless Steel, 50u" nickel underplated on allover, gold flash on solder pad.

Electrical:

Insulation Resistance: 1000M Ω Min./500V DC

Withstanding Voltage: 250V AC/minute.

Contact Resistance: 100m Ω Max. AT 10mA/20mV Max

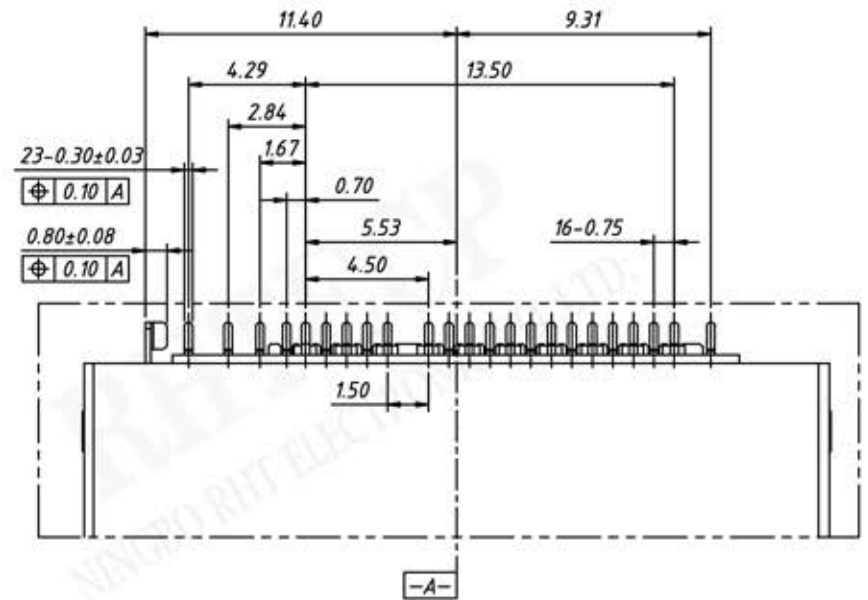
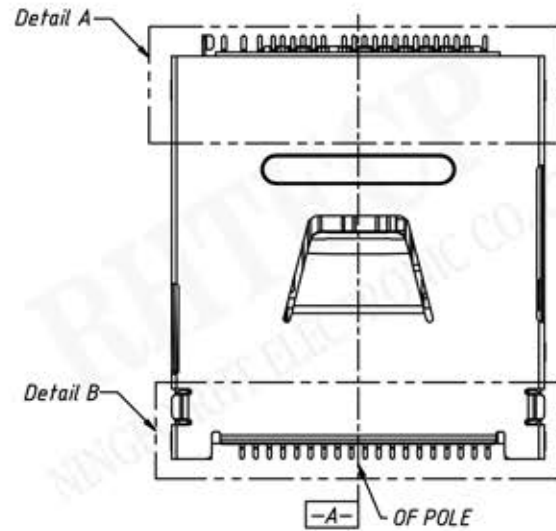
Current Rating: 0.5 A

Voltage Rating: 5.0 vrms

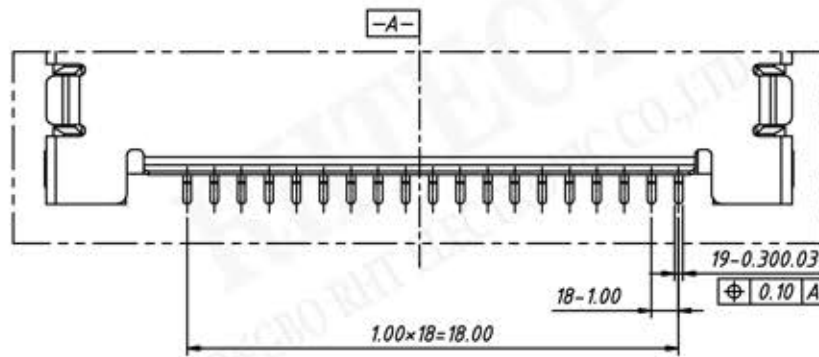
Operating Temp Range: -40°C TO +85°C

Mating Cycles: 10000 Insertions.

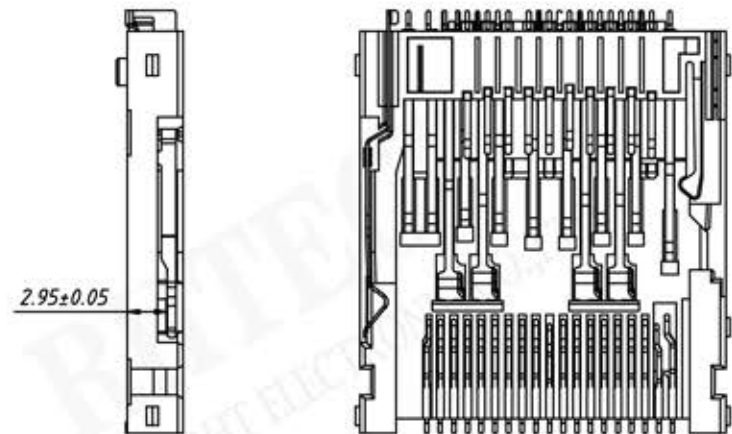
P/N: RE-C-MUT51-001



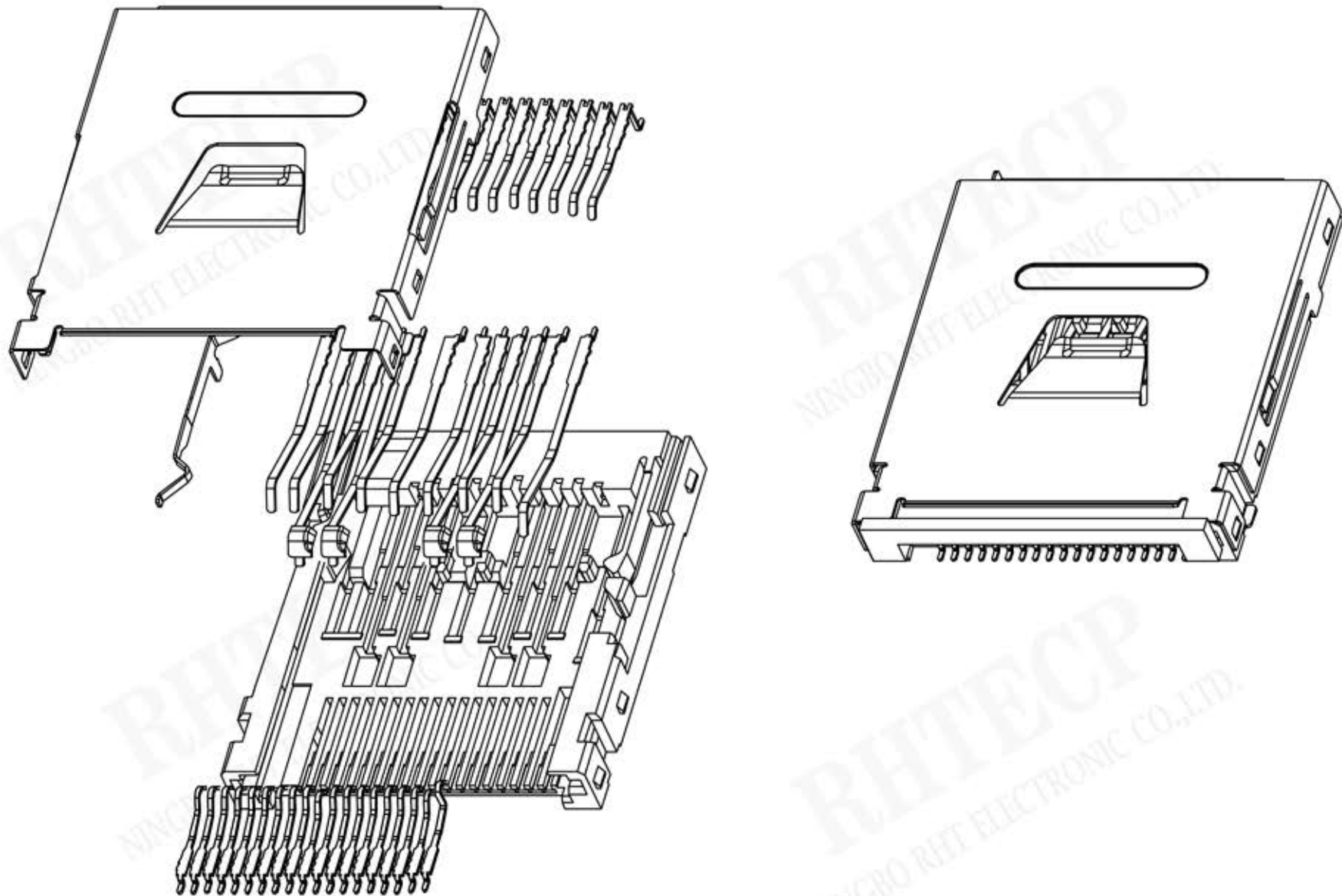
Detail A
Scale 2:1



Detail B
Scale 2:1



P/N: RE-C-MUT51-001



RHTECP NINGBO RHT ELECTRONIC CO.,LTD

UNITS:mm

> 0~3

± 0.12

SHEET SIZE:A4

> 3~18

± 0.15


SCALE: ---

> 18~50

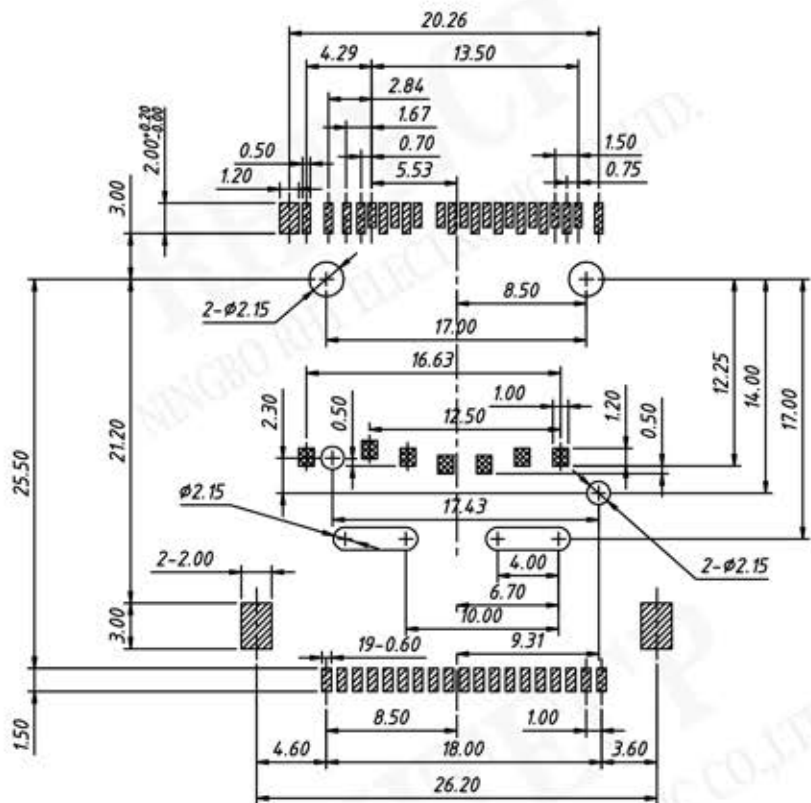
± 0.3

> 50~120

± 0.5

 First angle projection

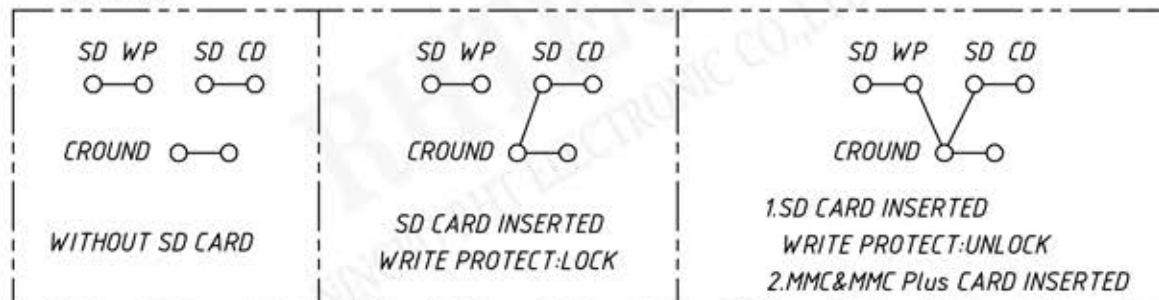
CONNECTOR



RECOMMENDED PCB LAYOUT
TOLERANCE: ±0.05mm

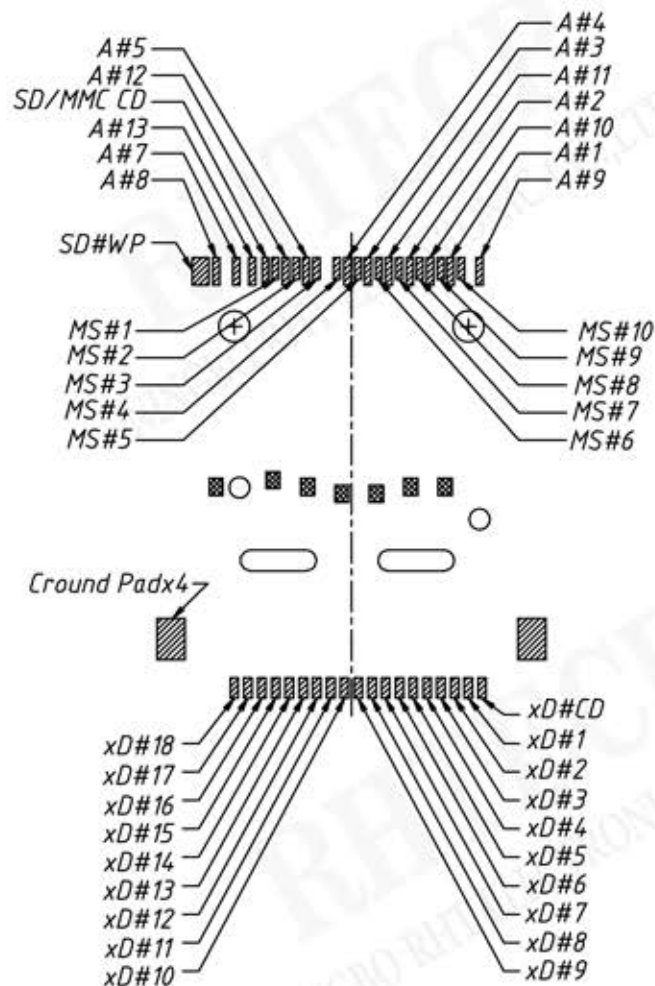
- Solder Area
- Pattern Prohibited Area
- Break Open Area

SD CIRCUIT



xD CIRCUIT





PIN ASSIGNMENT:

PIN NO	MEMORY CARD PIN NO	PIN NO	MEMORY CARD PIN NO	PIN NO	MEMORY CARD PIN NO
A#1	SD/M/M-1(DAT3)	MS#1	VSS	xD#1	(VCC)
A#2	SD/M/M-2(CMD)	MS#2	BS	xD#2	(D7)
A#3	SD/M/M-3(GND)	MS#3	DAT1	xD#3	(D6)
A#4	SD/M/M-4(VCC)	MS#4	SDIO/DATA0	xD#4	(D5)
A#5	SD/M/M-5(CLK)	MS#5	DATA2	xD#5	(D4)
A#7	SD/M/M-7(DAT0)	MS#6	INS	xD#6	(D3)
A#8	SD/MMCplus-8(DAT1)	MS#7	DATA3	xD#7	(D2)
A#9	SD/MMCplus-9(DAT2)	MS#8	SCLK	xD#8	(D1)
A#10	MMCplus-10(DAT4)	MS#9	VCC	xD#9	(D0)
A#11	MMCplus-11(DAT5)	MS#10	VSS	xD#10	(GND)
A#12	MMCplus-12(DAT6)			xD#11	(-WP)
A#13	MMCplus-13(DAT7)			xD#12	(-WE)
				xD#13	(ALE)
				xD#14	(CLE)
				xD#15	(-CE)
				xD#16	(-RE)
				xD#17	(R/-B)
				xD#18	(GND)