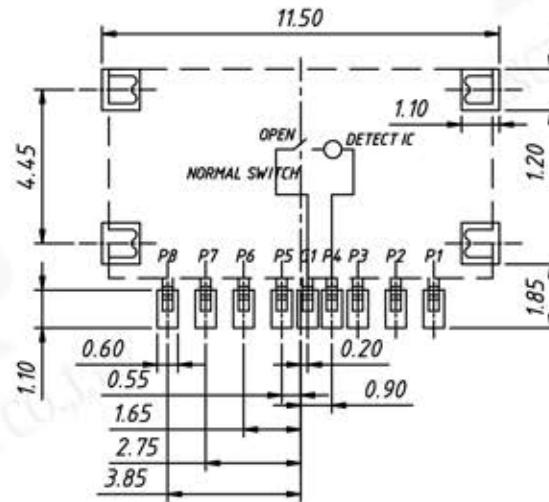
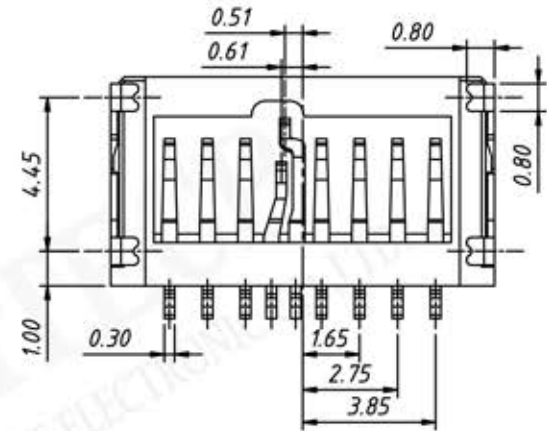
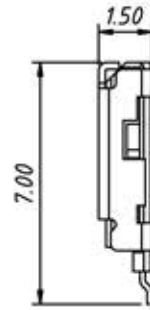
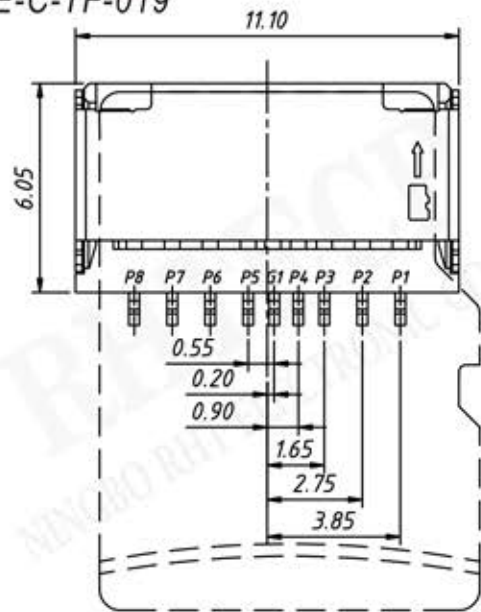


P/N: RE-C-TF-019



RECOMMENDED PCB LAYOUT
TOLERANCE: ±0.05

G1	SWITCH
P1	DAT2
P2	CD/DAT3
P3	CMD
P4	VDD
P5	CLK
P6	VSS
P7	DAT0
P8	DAT1
PIN NUM	DESC

Material:

Housing: High Temperature Thermoplastic, UL 94V-0, Black.
Contact: Copper Alloy T=0.15. Plated Gold Flash on Contact Area.
Shell: Stainless Steel T=0.20. Plated Gold Flash on Solder Tails.

Electrical:

Rated Current: 0.5A
Rated Voltage: 30V
Contact Resistance: 50mΩ Max.
Insulation Resistance: 100MΩ Min./100V DC
Dielectric Withstanding Voltage: 100V AC
Solder ability: 235°C ±5°C, 5±0.5s
Durability: 5000 Cycles.
Operating Condition: Temperature: -30°C TO +80°C
Humidity: 80% R.H. Max.