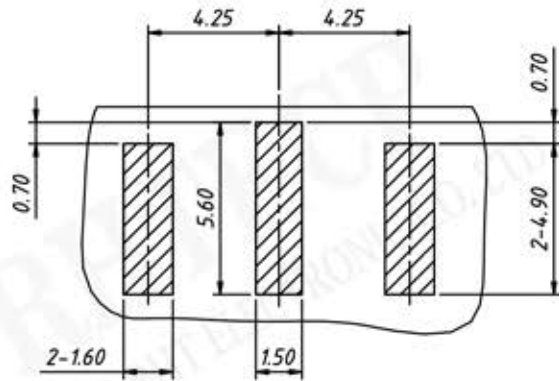
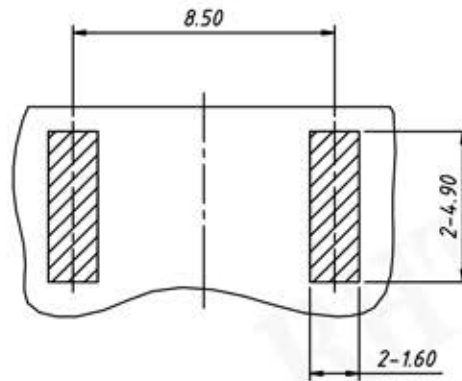


P/N: RE-C-SMA021

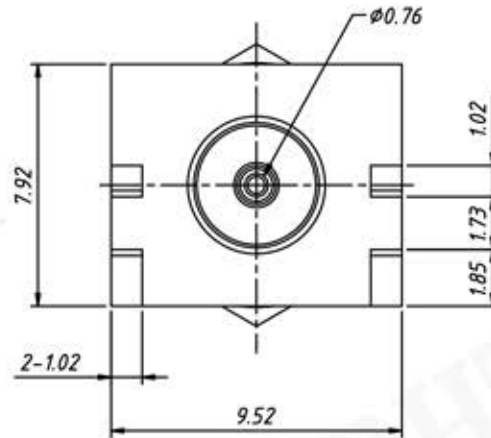
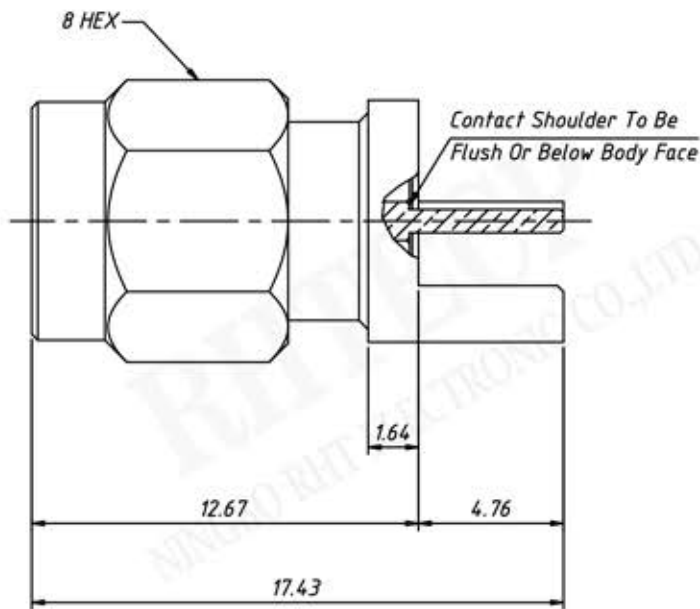
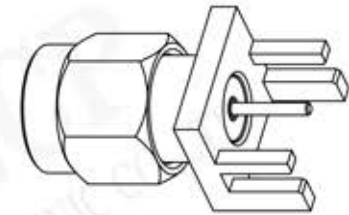


TOP VIEW



RECOMMENDED PCB LAYOUT

BOTTOM VIEW



Material:
 Body:Brass,Gold Plating
 Insulator:PTFE,Natural
 Contact Pin:Brass,Gold Plating
 Shell:Brass,Gold Plating
 Gasket:Silicone Rubber,Red
 Retainer Pin:Stainless Steel,Natural

Electrical:
 Impedance:50Ω
 Frequency Range:DC 0-18 GHz
 Dielectric Withstanding Voltage:1000 VRMS Min.
 Durability:500Cycles Min
 Temperature Range:- 65°C to +165°C
 Board Thickness=1.57mm
 Contact Pin Must Withstand 6 Lbs Min.
 Axial In Both Directions And 4 In -OZ Min.Radial Force.