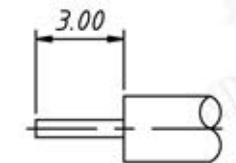
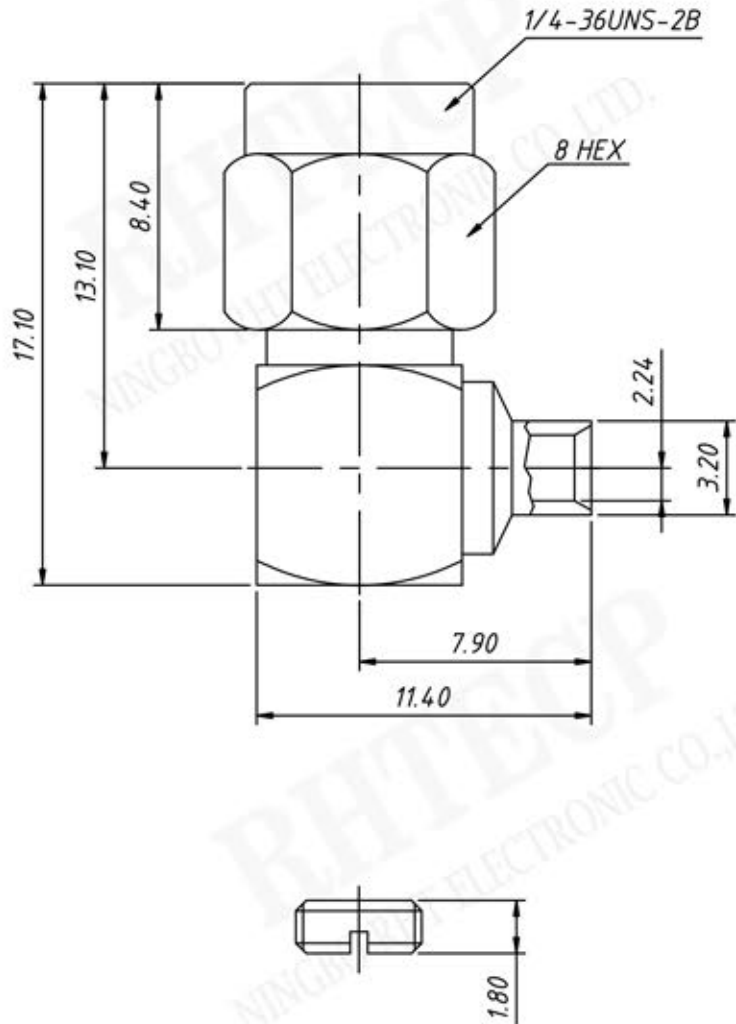


P/N: RE-C-SMA018



Recommended Cable Stripping Dim'S

*Material:*

Shell: Brass, Gold Plating

Body: Brass, Gold Plating

Insulator: Teflon, Natural,

Contact Pin: Brass, Gold Plating

Retainer Pin: Ber. Copper, Natural

Gasket: Silicone, Red

Cover: Brass, Gold Plating

*Electrical:*

Impedance: 50Ω

*Mechanical:*

Durability: 500 Cycles Min.

Temperature Range: -65°C to +165°C