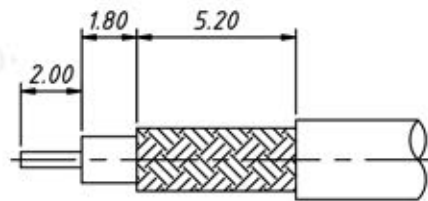
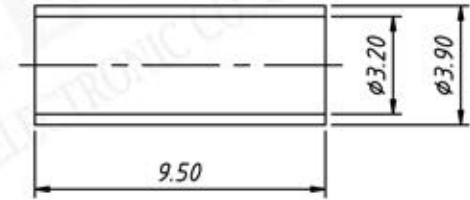
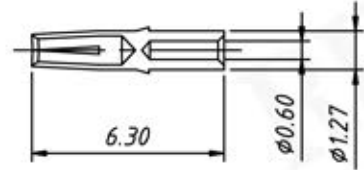
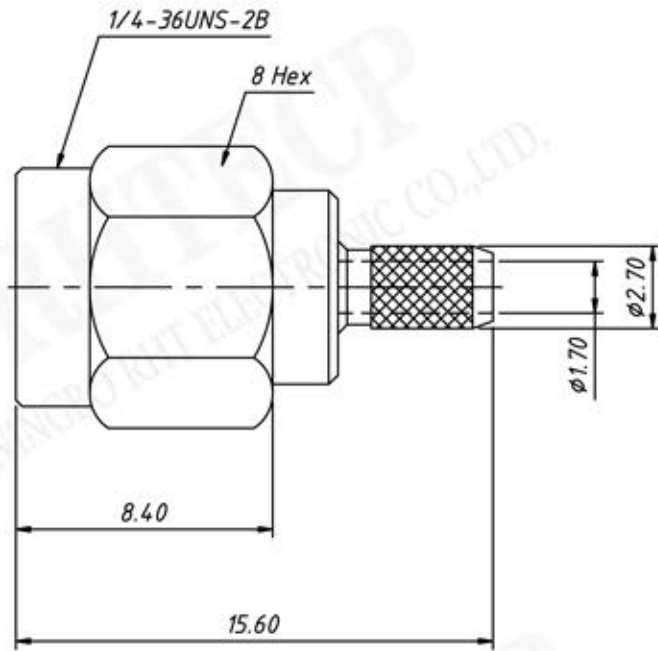


P/N: RE-C-SMA014



Material:

Body: Brass, Gold Plating
 Contact Pin: Ber. Copper, Gold Plating
 Insulator: PTFE, Natural
 Ferrule: Copper, Gold Plating
 Heat Shrink Tubing: Blak

Note:

Impedance: 50Ω
 Crimped Ferrule Hex Crimp Size 3.25
 Contact Pin To Solder

UNITS:mm		SHEET SIZE:A4		SCALE: ---	
> 0~ 3	> 3~ 18	> 18~ 50	> 50~ 120		
± 0.12	± 0.15	± 0.3	± 0.5		