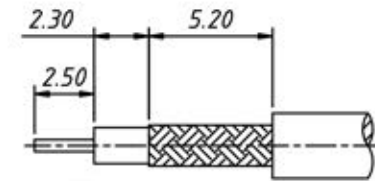
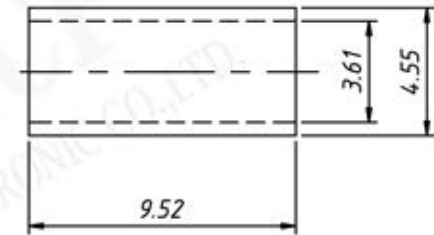
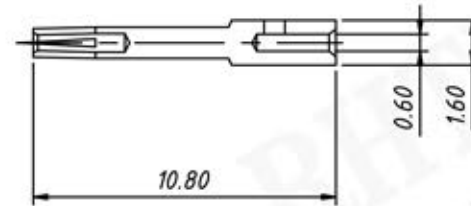
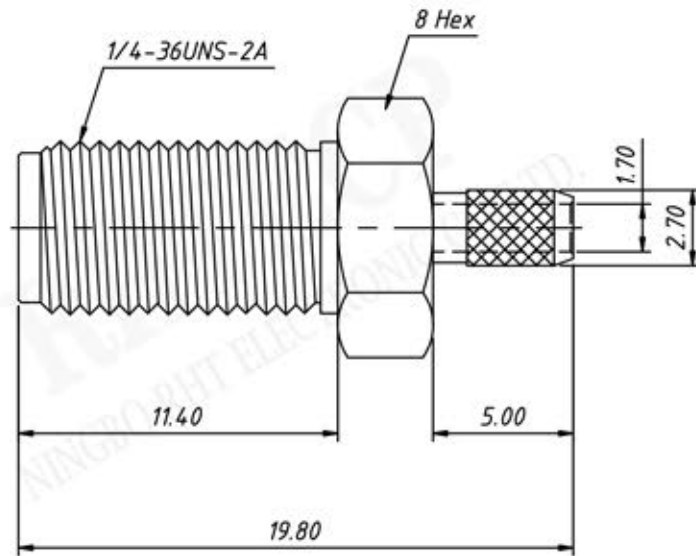


P/N: RE-C-SMA008



Recommended Cable Stripping Dim's

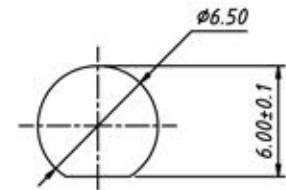
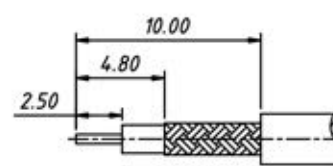
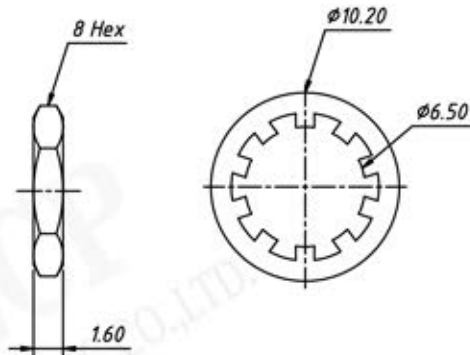
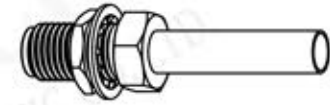
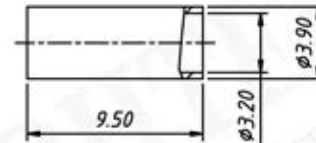
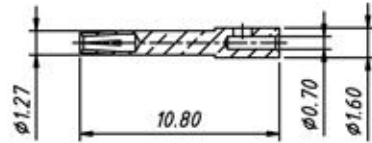
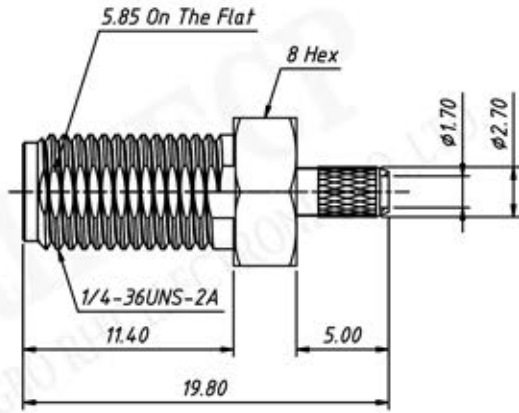
Material:

Body: Brass, Gold Plating
 Contact Pin: Ber. Copper, Gold Plating
 Insulator: PTFE, Natural
 Ferrule: Copper, Gold Plating
 Heat Shrink Tubing: Blak

Note:

Impedance: 50Ω
 Crimped Ferrule Hex Crimp Size 3.83
 Contact Pin To Solder
 Max. Panel Thickness = 3.2mm

P/N: RE-C-SMA008



Recommended Cable Stripping Dim's

Recommended Mounting Hole

Material:

- Body: Brass, Gold Plating
- Contact Pin: Ber. Copper, Gold Plating
- Insulator: PTFE, Natural
- Lock Washer: Brass, Gold Plating
- Hex Nut: Brass, Gold Plating
- Ferrule: Brass, Gold Plating
- Heat Shrink Tubing: Black

Note:

- Impedance: 50Ω
- Crimped Ferrule Hex Crimp Size 3.25
- Contact Pin To Solder
- Max. Panel Thickness=3.2mm

