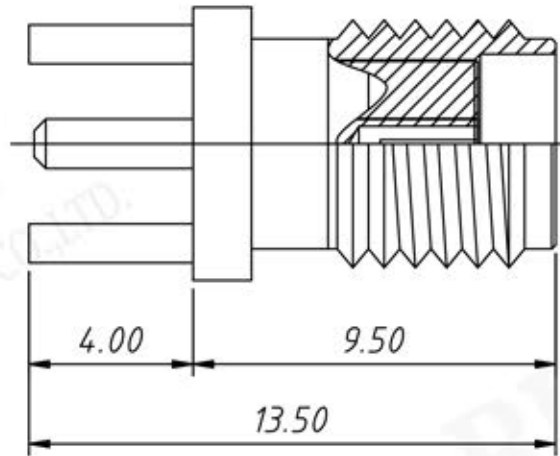
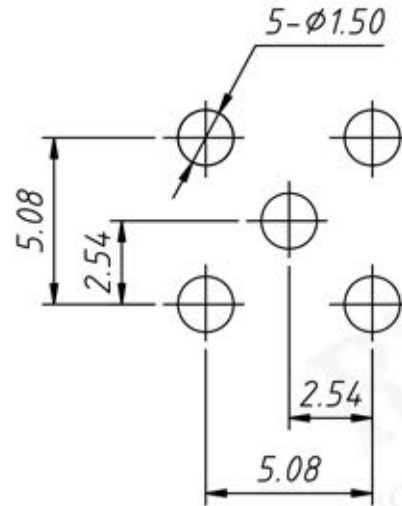
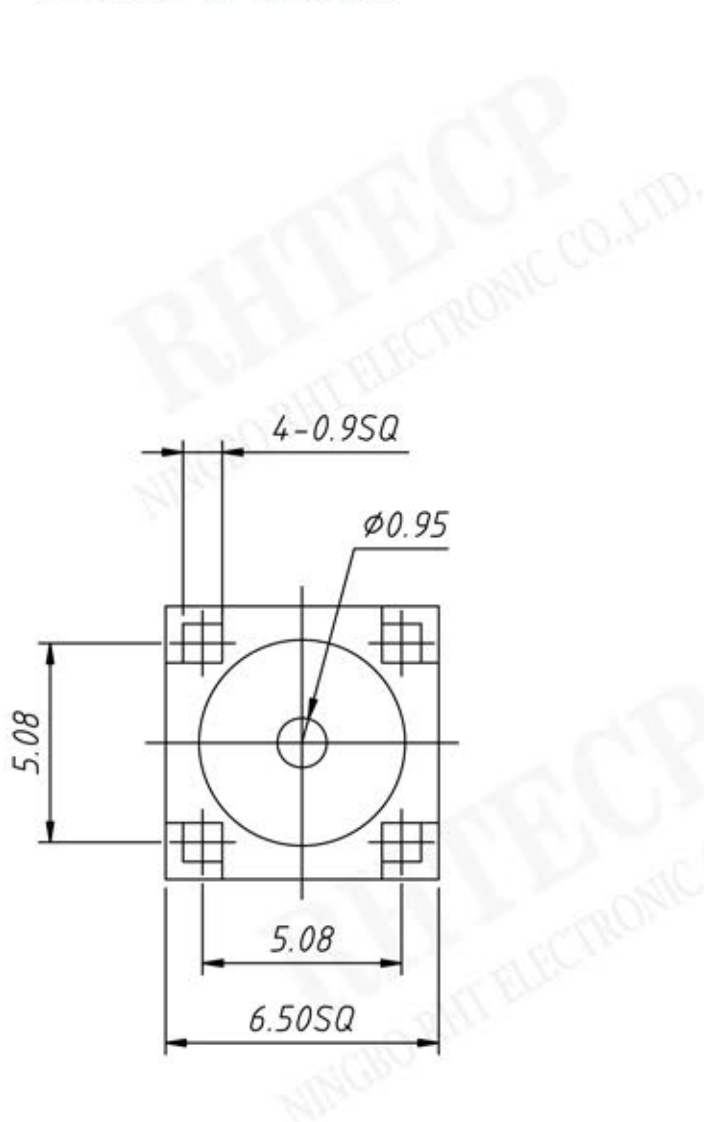


P/N: RE-C-SMA001



**Electrical Specifications:**

- Impedance: 50Ω
- Frequency Range Max: 18 GHz
- Voltage Rating : 335 volts rms.
- Dielectric Withstanding Voltage : 500 volts rms.
- VSWR : 1.15 +0 .02 f (GHz) for Straight connector typical
- 1.25 +0 .025 f (GHz) for Right angle connector typical
- Contact Resistance Center contact: 2.0 mΩ
- Body: 2.0 mΩ
- Insulation Resistance: 5,000 MΩ

**Mechanical Specifications:**

- Mating: 1/4"-36 UNS thread coupling
- Cable retention: 6kgf typical
- Durability: 500 Cycles Min.
- Coupling nut retention: 18kgf Min.

Temperature Range: - 55°C to +155°C

**Material:**

- Connector body: Brass per QQ-B-626 ,gold Plating or nickel
- Center contact Male: Brass, gold Plating
- Center contact Female: Beryllium copper, gold Plating
- Insulator: PTFE
- Gasket: Silicone rubber
- Crimp Ferrule: Annealed copper