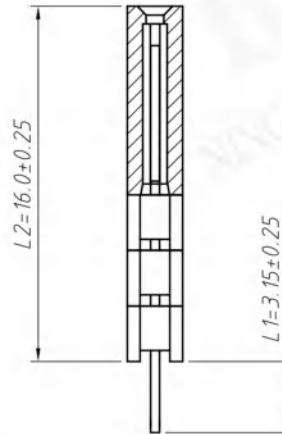
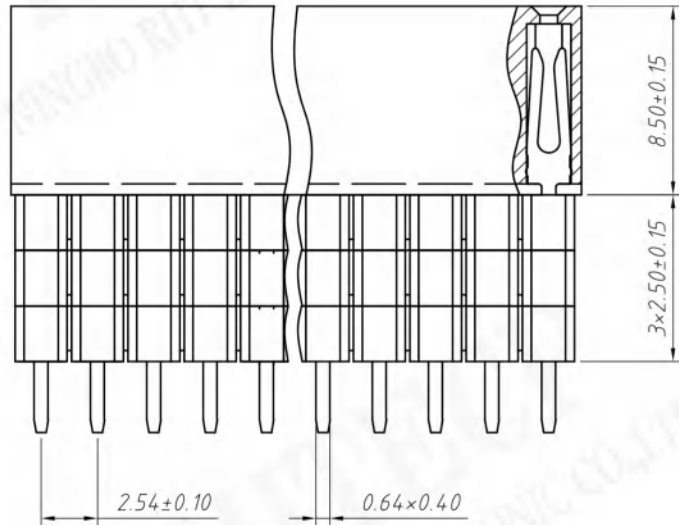


Recommended P.C.B Layout (Top Side)
(PCB BOARD TOLERANCE ± 0.05)

Material:
Standard: PBT/PA6T
Contact: Brass
Plating: Au or Sn Over 50u" Ni
Insulator: Polyester, UL 94V-0

Electrical Characteristics:
Rated Current: 3.0AMP
Contact Resistance: 20m Ω Max
Withstand Voltage: 1000V AC/DC
Insulator Resistance: 1000M Ω Min

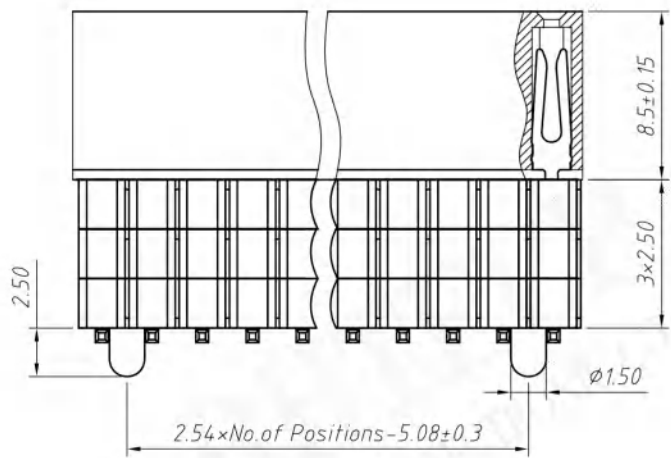
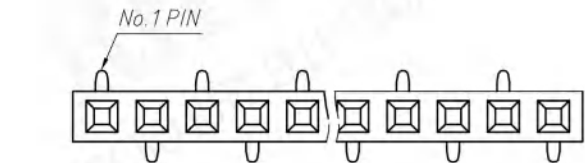
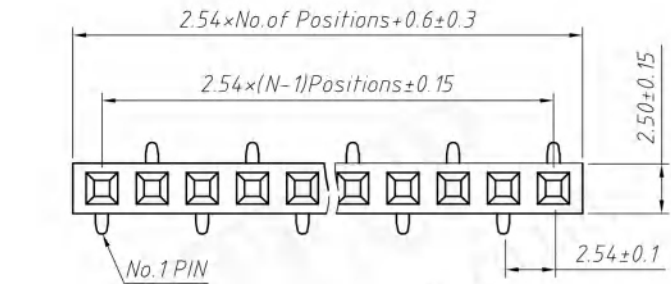
Mechanical
Operating Temperature: $-40^{\circ}\text{C} \sim +105^{\circ}\text{C}$
Max. Processing Temp: 180°C for 30-60 seconds (200°C for 10 seconds)



Order Information:
RE - C - 208X - 1 - XX - S - L1 x L2 - A

Pin Header Series
208X: 2.54mm
Per Row: Single layer
Pin: No. of Pins (1x40)
Type: Straight Pin
Size: L1 x L2
Material: A=PBT B=PA6T C=LCP

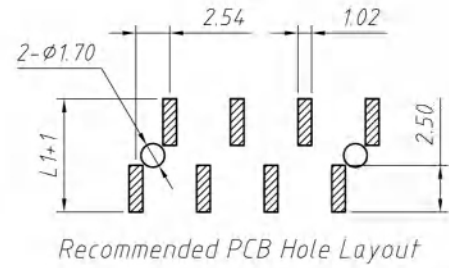
Dimension antitheses list (mm)			
ITEM	L1	L2	Plastic Height
Standard	3.15	16.0	8.50
Standard	3.15	13.5	8.50
Standard	3.15	11.0	8.50



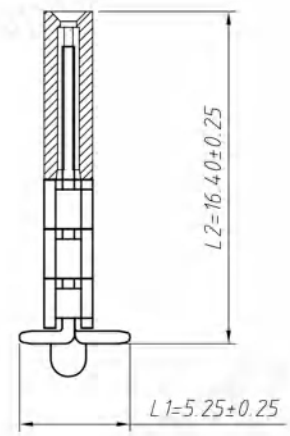
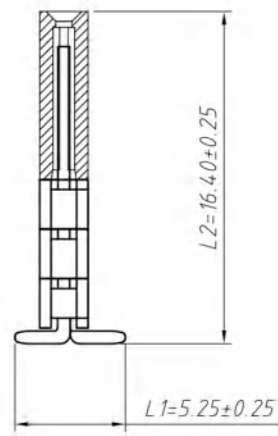
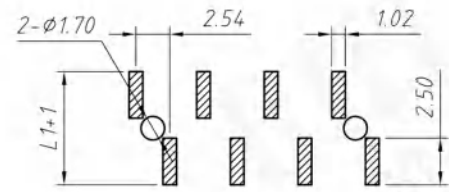
Dimension antitheses list (mm)

ITEM	L1	L2	Plastic Height
Standard	5.25	11.4	8.50
Standard	5.25	13.9	8.50
Standard	5.25	16.4	8.50

T2 Type



T1 Type

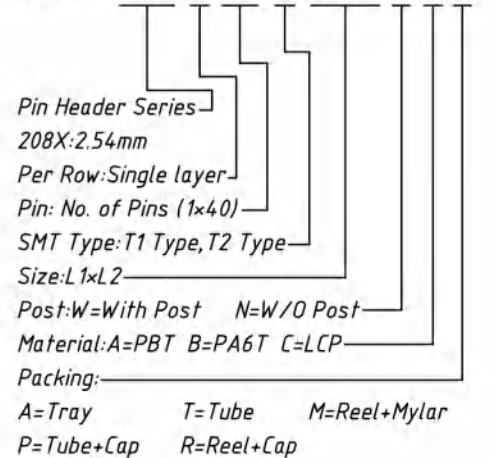


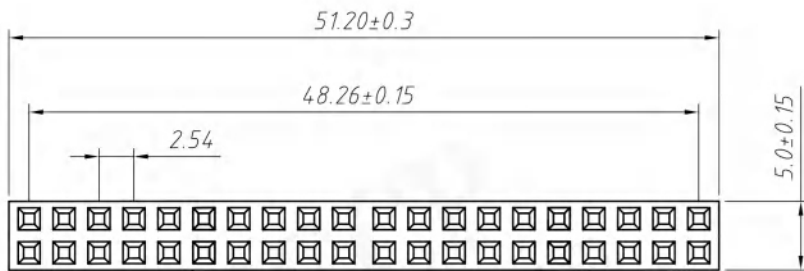
Material:
 Standard: PA6T
 Contact: Brass
 Plating: Au or Sn Over Ni
 Insulator: Polyester, UL94V-0

Electrical Characteristics:
 Rated Current: 3.0AMP
 Contact Resistance: 20mΩ Max
 Withstand Voltage: 1000V AC/DC
 Insulator Resistance: 1000MΩ Min

Mechanical
 Operating Temperature: -40°C ~ +105°C
 Max. Processing Temp: 180°C for 30-60 seconds (200°C for 10 seconds)

Order Information:
 RE - C - 208X - 1 - XX - T1 - L1 x L2 - N - B - R



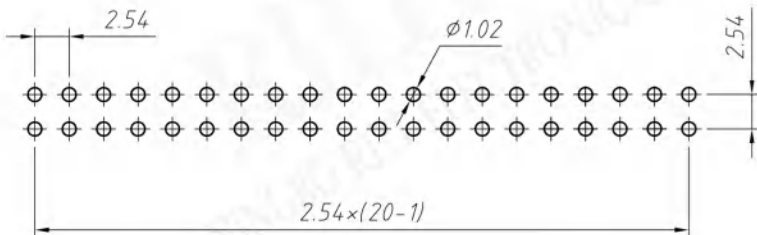
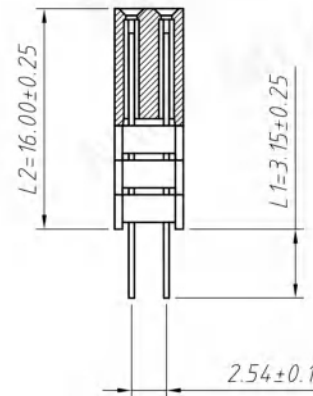
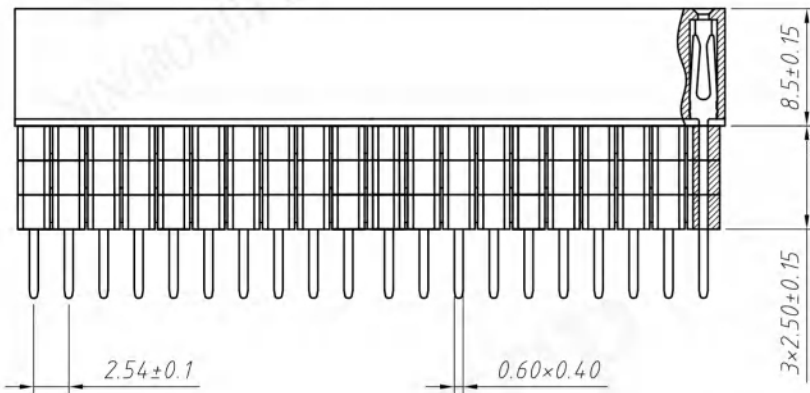


Dimension antitheses list (mm)			
ITEM	L1	L2	Plastic Height
Standard	3.15	16.0	8.50
Standard	3.15	13.5	8.50
Standard	3.15	11.0	8.50

Material:
 Standard:PBT/PA6T
 Contact:Brass
 Plating: Au or Sn Over Ni
 Insulator: Polyester, UL94V-0

Electrical Characteristics:
 Rated Current: 3.0AMP
 Contact Resistance: 20mΩ Max
 Withstand Voltage: 1000V AC/DC
 Insulator Resistance: 1000MΩ Min

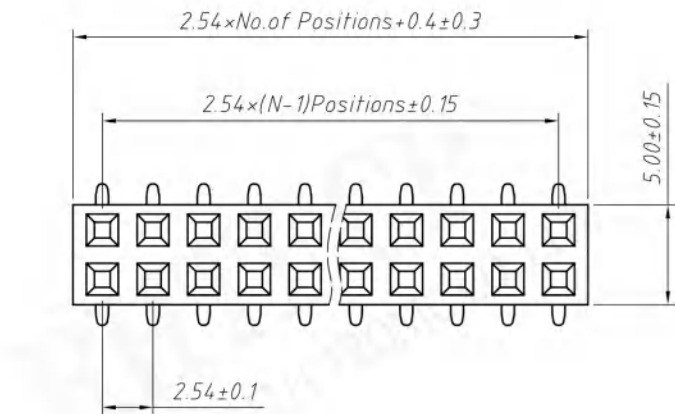
Mechanical
 Operating Temperature: -40°C ~ +105°C
 Max.Processing Temp: 180°C for 30-60 seconds (200°C for 10 seconds)



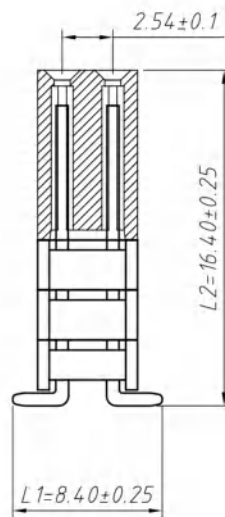
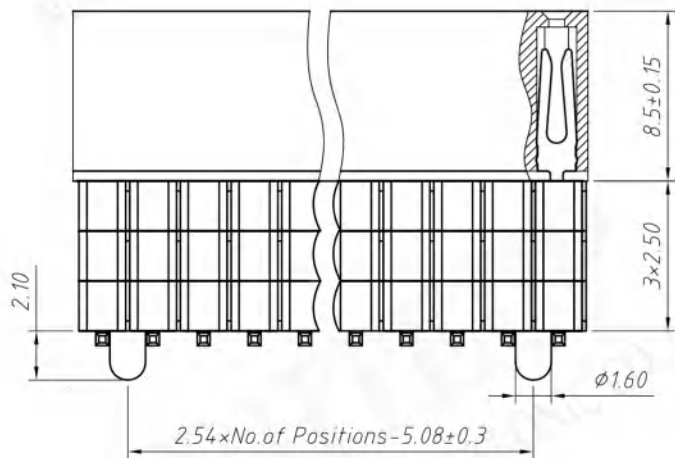
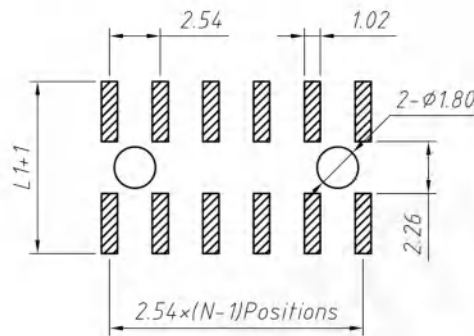
Recommended P.C.B Layout (Top Side)
 (PCB BOARD TOLERANCE ±0.05)

Order Information:
 RE - C - 208X-2-XX-S-L1×L2-A

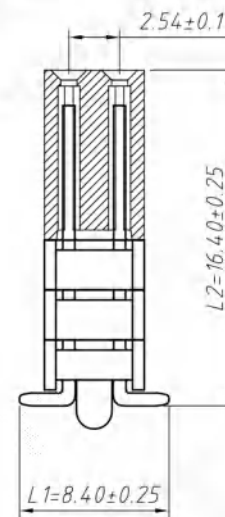
Pin Header Series
 208X:2.54mm
 Per Row: Double layer
 Pin: No. of Pins (02~80)
 Type: Straight Pin
 Size: L1×L2
 Material: A=PBT B=PA6T C=LCP



Recommended P.C.B Layout (Top Side)
(PCB BOARD TOLERANCE ± 0.05)



T=Without Post



T3=With Post

Material:
Standard: PA6T
Contact: Brass
Plating: Au or Sn Over Ni
Insulator: Polyester, UL94V-0

Electrical Characteristics:
Rated Current: 3.0AMP
Contact Resistance: 20mΩ Max
Withstand Voltage: 1000V AC/DC
Insulator Resistance: 1000MΩ Min

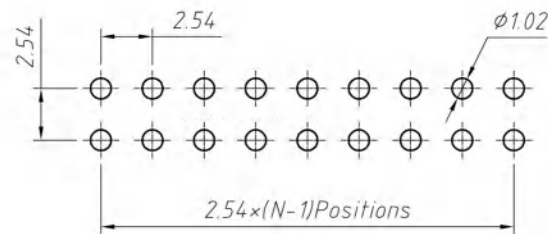
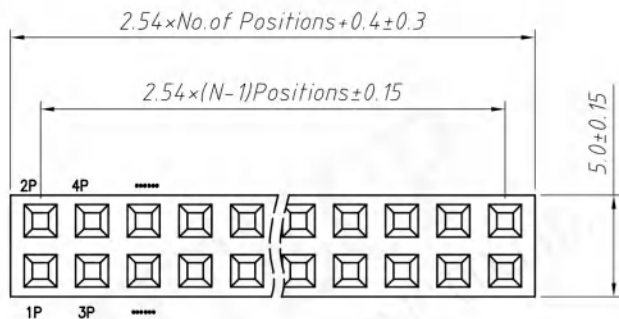
Mechanical
Operating Temperature: -40°C ~ +105°C
Max. Processing Temp: 180°C for 30-60 seconds (200°C for 10 seconds)

Order Information:

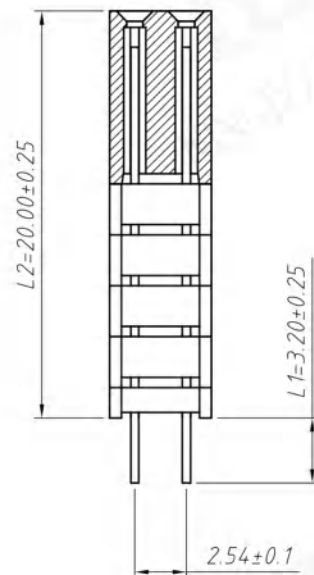
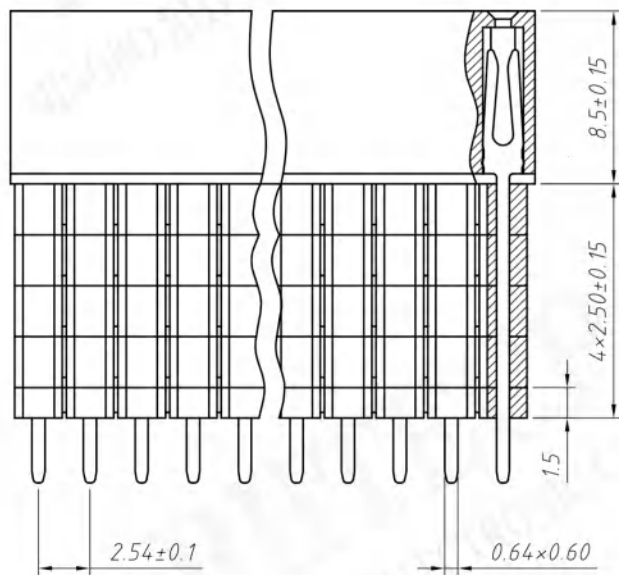
RE - C - 208X - 2 - XX - T - L1 x L2 - B - R

Pin Header Series
208X: 2.54mm
Per Row: Double layer
Pin: No. of Pins (02 ~ 80)
SMT Pin:
T=Without Post, T3=With Post
Size: L1 x L2
Material: A=PBT B=PA6T C=LCP
Packing:
A=Tray T=Tube M=Reel+Mylar
P=Tube+Cap R=Reel+Cap

Dimension antitheses list (mm)			
ITEM	L1	L2	Plastic Height
Standard	8.40	11.4	8.50
Standard	8.40	13.9	8.50
Standard	8.40	16.4	8.50



Recommended P.C.B Layout (Top Side)
(PCB BOARD TOLERANCE ± 0.05)

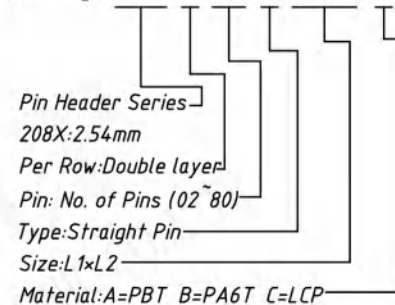


Material:
Standard: PBT/PA6T
Contact: Brass
Plating: Au or Sn Over Ni
Insulator: Polyester, UL94V-0

Electrical Characteristics:
Rated Current: 3.0AMP
Contact Resistance: 20mΩ Max
Withstand Voltage: 1000V AC/DC
Insulator Resistance: 1000MΩ Min

Mechanical
Operating Temperature: -40°C ~ +105°C
Max. Processing Temp: 180°C for 30-60 seconds (200°C for 10 seconds)

Order Information:
RE - C - 208X-2-XX-S-3.2x20-A



Dimension antitheses list (mm)			
ITEM	L1	L2	Plastic Height
Non Standard	3.20	20.0	8.50