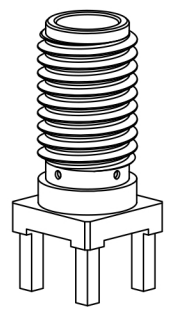


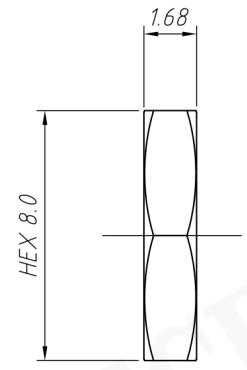
Connector:SMA Jack (Female Socket)
Termination:PCB Through Hole Mount

Material:
Body:Brass,Nickel/Gold
Shell:Brass,Nickel/Gold
Washer:Brass,Nickel/Gold
Nut:Brass,Nickel/Gold
Socket:Be Cu,Nickel/Gold
Insulator:PTFE

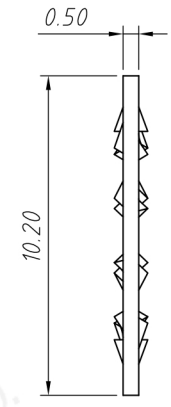
- Notes: (Unless Otherwise Specified)
1. All Dimensions Are In mm [Inches].
 2. Dimensions Apply After Finishing.
 3. Manufacture To Be Compliant With Eu RoHS Directive, Use Materials That Do Not Contain Reach Substances Of Very High Concern >1000ppm, And Use Drc Conflict-Free Sourced Materials.
 4. Safety Break All Sharp Corners And Edges 0.5 Maximum.
 - 5 See Table I For Electrical Specifications. (Sheet 2)
 - 6 See Table Ii For Environmental Specifications. (Sheet 2)
 - 7 See Table Iii For Mechanical Specifications. (Sheet 2)
 8. See Partslist. "x" Indicates Finish Type.



SCALE 2:1



NUT



WASHER

UNITS:mm	SHEET SIZE:A4		SCALE: ---
> 0~ 3	> 3~ 18	> 18~ 50	> 50~ 120
± 0.12	± 0.15	± 0.3	± 0.5

5. TABLE I

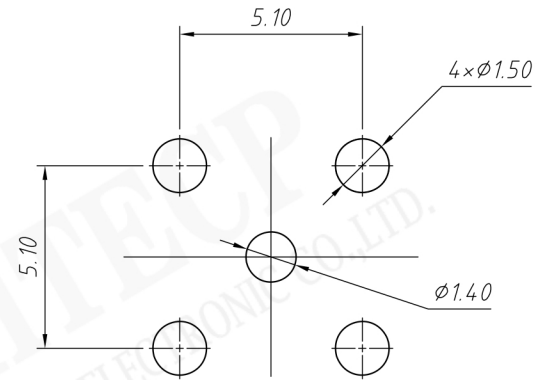
Electrical Data	Detail
Impedance	50Ω
Frequency Range	0 to 18 GHz
Insulation Resistance	5000MΩ Min
Voltage Rating	1000V RMS
Contact Resistance	Center: ≤3.0mΩ Outer: ≤2.5mΩ
VSWR	---

6. TABLE II

Electrical Data	Detail
Corrosion (Salt spray)	ASTMB-117
Thermal shock	MIL-STD-202 Method 107 test condition B
Vibration	MIL-STD-202 Method 204 test condition D
Mechanical Shock	MIL-STD-202 Method 213 test condition I
Temperature Range	-55°C to +155°C
Environmental Compliance	RoHS

7. TABLE III

Electrical Data	Detail
Mounting Type	PCB Through Hole Mount , Panel Mount
Fastening Type	1/4"-36 Threaded Coupling
Recommended Torque	0.57 N.m (5.0 in.lbs)
Coupling Nut Retention	60 lbs.min.
Connector Durability	500 cycles min.
Weight	2.8g (0.1 oz)



RECOMMENDED FOOTPRINT

Order Information

RE - C - SMA251

