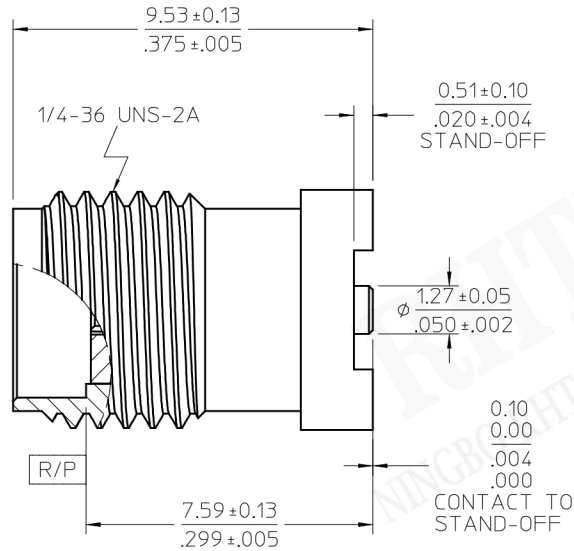


RECOMMENDED PCB LAYOUT



MATERIALS & FINISHES

BODY: BRASS

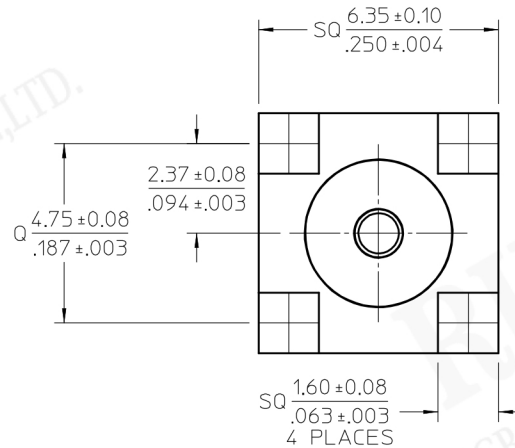
PLATED: SEE TABLE

CONTACT: BERYLLIUM COPPER

PLATED: GOLD

INSULATOR: TEFLON

KAPTON: POLYIMIDE FILM  
(ON -1355 ONLY)



73251-1355	T & R W/KAPTON (400 PCS / REEL) BODY GOLD
73251-1354	TAPE & REEL (400 PCS / REEL) BODY NICKEL
73251-1353	TRAY PACK (80 PCS / TRAY) / BODY NICKEL
73251-1352	ONE PIECE 73251-1350 PER BAG / BODY GOLD
73251-1351	TAPE & REEL (400 PCS / REEL) / BODY GOLD
73251-1350	TRAY PACK (80 PCS / TRAY) / BODY GOLD
PART NO	TAPE & REEL (400 PCS / REEL) / BODY GOLD

MIL-STD-348A, FIG. 310.2	INTERFACE
SPECIFICATION	DESCRIPTION

**RHTECP** NINGBO RHT ELECTRONIC CO.,LTD

UNITS:mm		SHEET SIZE:A4		SCALE: ---	
> 0~ 3	> 3~ 18	> 18~ 50	> 50~ 120		
± 0.12	± 0.15	± 0.3	± 0.5		



CONNECTOR

