



SMA Connector Series

RE-C-SMA004 SMA Connector Series

Electrical Specifications

Impedance: 50 Ω

Frequency Range

Semi-rigid cable: 0-18 GHz

Flexible cables: 0-12.4 GHz

Voltage Rating : 335 volts rms.

Dielectric Withstanding Voltage : 500 volts rms.

VSWR:

1.15 +0.02 f (GHz) for Straight connector typical

1.25 +0.025 f (GHz) for Right angle connector typical

Contact Resistance: Center contact: 2.0 mΩ

Body: 2.0 mΩ

Insulation Resistance: 5,000 MΩ

Mechanical Specifications

Mating: 1/4"-36 UNS thread coupling

Cable retention: 6kgf typical

Durability: 500 Cycles Min.

Coupling nut retention: 18kgf Min.

Temperature Range: -55°C to +155°C

Material

Connector body: Brass per QQ-B-626 ,gold Plating or nickel

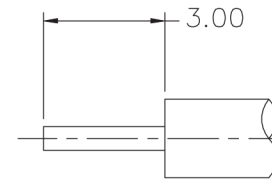
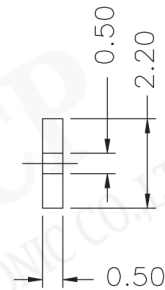
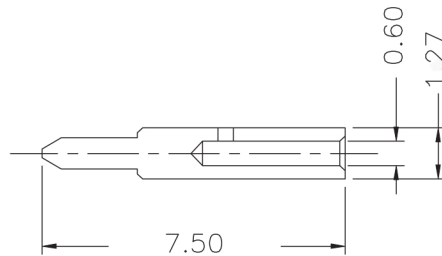
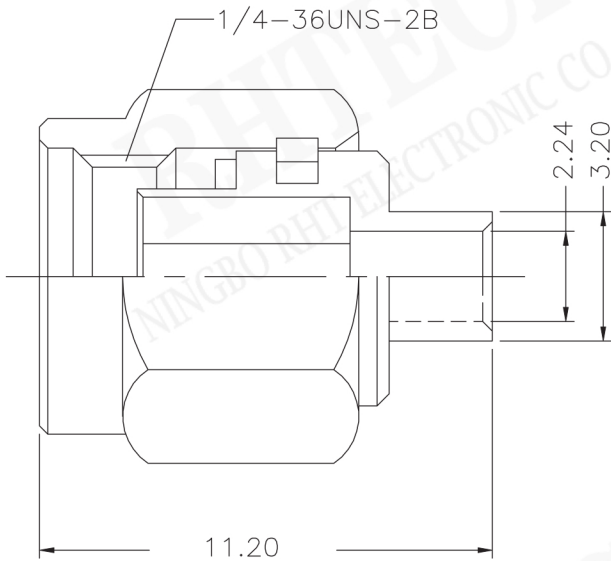
Center contact Male: Brass, gold Plating

Center contact Female: Beryllium copper, gold Plating

Insulator: PTFE

Gasket: Silicone rubber

Crimp Ferrule: Annealed copper



RECOMMENDED CABLE

ORDER INFORMATION

Product NO.: RE-C-SMA004

Pos. NO. _____

SMA Connector Type _____

RHTECP NINGBO RHT ELECTRONIC CO., LTD

UNITS:mm

SHEET SIZE:A4

SCALE: ---

First angle projection

> 0~3

> 3~18

> 18~50

> 50~120

± 0.12

± 0.15

± 0.3

± 0.5

CONNECTOR