

SECTION A-A

*Material*

*Screw:* M3.0, Steel, Ni Plated  
*Pin header:* Brass, 0.8t, Tin Plated  
*Housing:* PA66, UL94V-0, Black

*Electrical*

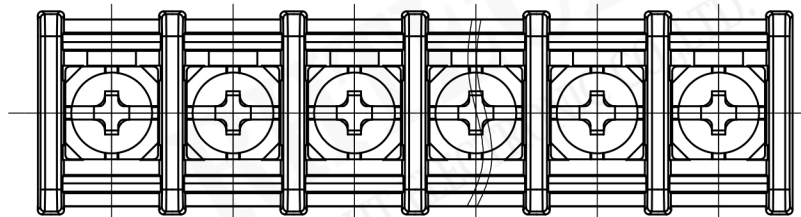
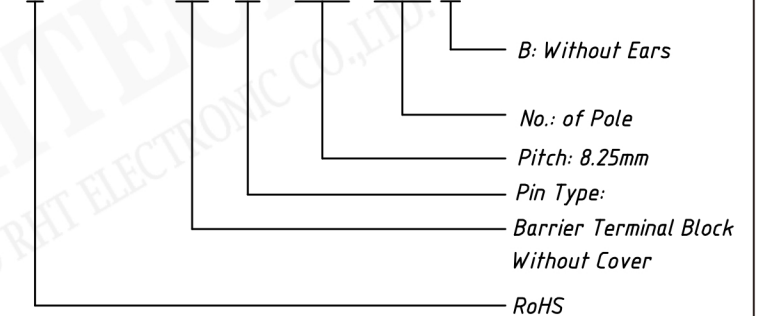
*Rated voltage:* 300V  
*Rated current:* 15A  
*Wire range:* 22~14AWG 2.5mm<sup>2</sup>  
*Contact Resistance:* 20 mΩ  
*Insulation resistance:* 500MΩ/DC500V  
*Withstand voltage:* AC2000V / 1min

*Mechanical*

*Temp. Range:* -40 °C ~ +105 °C  
*Torque:* 0.5Nm (4.5Lb.in)

*Order Information*

RE - C - 35 A - 8.25 - XXP - B



UNITS:mm		SHEET SIZE:A4		SCALE: ---
> 0~3	> 3~18	> 18~50	> 50~120	
± 0.12	± 0.15	± 0.3	± 0.5	