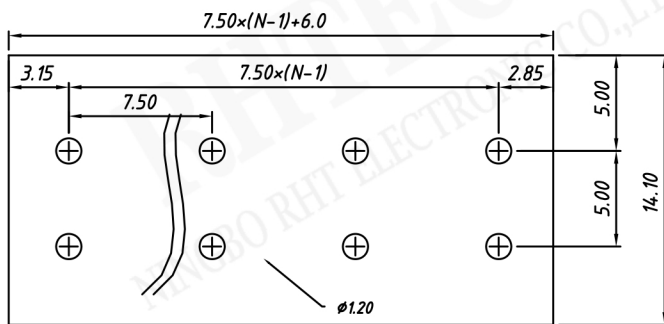


SECTION A-A



PCB LAYOUT

Material

Housing: PA66, UL94V-0

Pin header: Brass, Tin plated

Wire guard: Stainless steel

Electrical

Rated voltage: 300V

Rated current: 10A

Wire range: 26~14AWG 1.5mm²

Contact Resistance: 20 mΩ

Insulation resistance: 500MΩ/DC500V

Withstand voltage: AC2000V / 1min

Mechanical

Temp. Range: -40 °C ~ +105 °C

Soldering: 250 °C ±5 °C for 5S

Strip length: 5~6 mm

Order Information

RE - C - 206 - 7.50 - XXP - 1 xx

RoHS

Terminal Block

Pitch

No.: of Pole

Product Code: 00~99

Color: 1-Gray

5-Orange