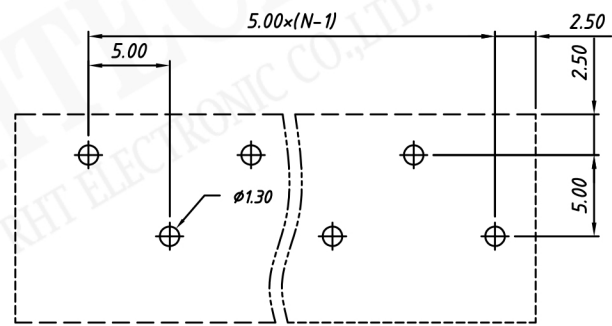
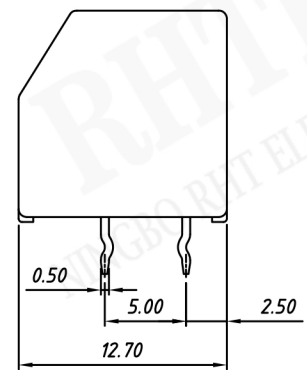


Material
Housing: PA66, UL94V-0
Pin header: Brass, Tin plated
Wire guard: Stainless steel

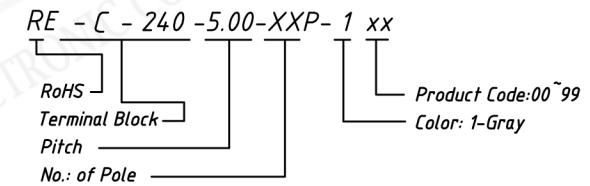
Electrical
Rated voltage: 300V
Rated current: 5A
Wire range: 22~16AWG 1.5mm²
Contact Resistance: 20 mΩ
Insulation resistance: 500MΩ/DC500V
Withstand voltage: AC2000V / 1 min

Mechanical
Temp. Range: -40 °C ~ +105 °C
Soldering: 250°C ± 5°C for 5S
Strip length: 7~8mm



PCB LAYOUT

Order Information



UNITS:mm		SHEET SIZE:A4		SCALE: ---	
> 0 ~ 3	> 3 ~ 18	> 18 ~ 50	> 50 ~ 120		
± 0.12	± 0.15	± 0.3	± 0.5		

