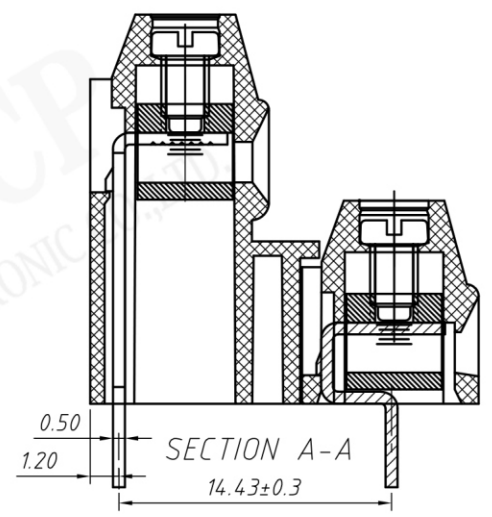
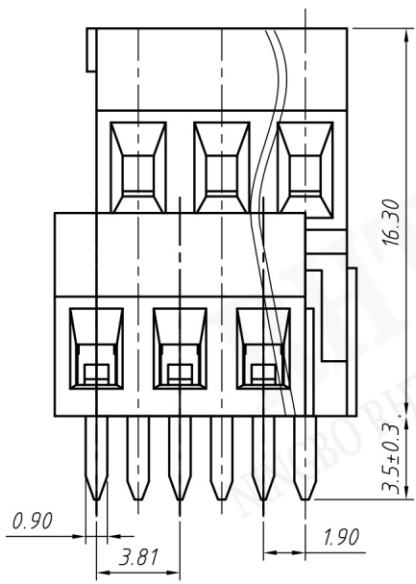
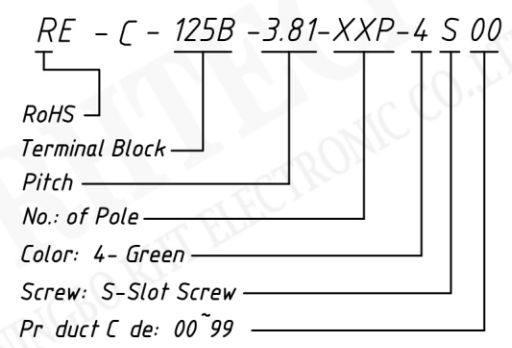


Material
Housing: PA66, UL 94V-0
Clamp: Brass, Ni plated
Pin Header: Brass, Tin plated
Screw: M2 steel Zinc plated

Electrical
Rated voltage: 300V
Rated current: 15A
Contact Resistance: 20 m Ω
Insulation resistance: 500MΩ/DC500V
Withstand voltage: AC2000V / 1min
Wire Range: 30~14AWG 1.0mm²

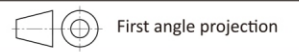
Mechanical
Temp. Range: -40 °C ~ +105 °C
Strip length: 5~6mm
Torque: 0.2Nm (1.75Lb.in)

Order Information

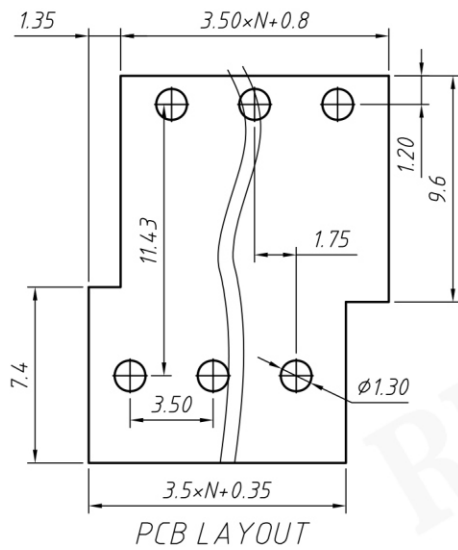
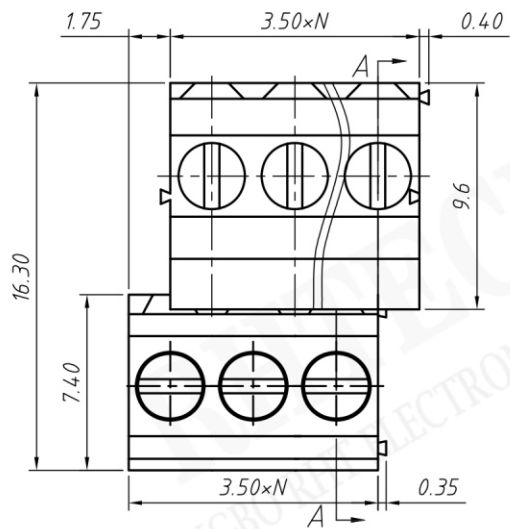


NINGBO RHT ELECTRONIC CO., LTD

UNITS:mm	SHEET SIZE:A4		SCALE: ---
> 0~3	> 3~18	> 18~50	> 50~120
± 0.12	± 0.15	± 0.3	± 0.5



TERMINAL BLOCK



Material
 Housing: PA66, UL94V-0
 Clamp: Brass, Ni plated
 Pin Header: Brass, Tin plated
 Screw: M2 steel Zinc plated

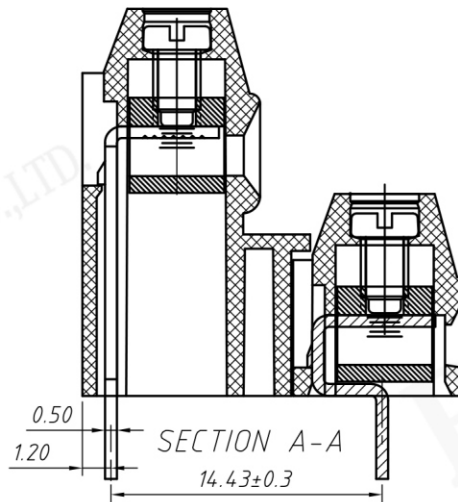
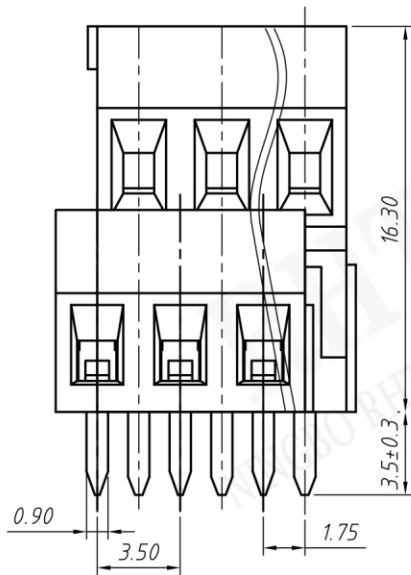
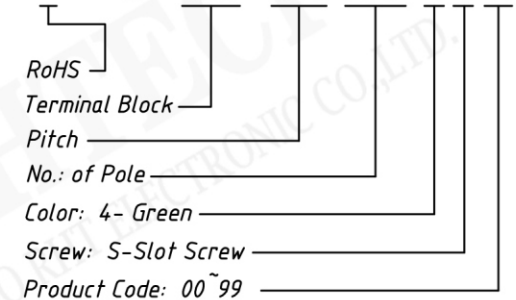


Electrical
 Rated voltage: 300V
 Rated current: 15A
 Contact Resistance: 20 mΩ
 Insulation resistance: 500MΩ/DC500V
 Withstand voltage: AC2000V / 1 min
 Wire Range: 30~14AWG 1.0mm²

Mechanical
 Temp. Range: -40 °C ~ +105 °C
 Strip length: 5~6mm
 Torque: 0.2Nm (1.75Lb.in)

Order Information

RE - C - 125B - 3.50 - XXP - 4 S 00

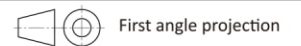


NINGBO RHT ELECTRONIC CO., LTD

UNITS:mm

SHEET SIZE:A4

SCALE: ---



> 0~3

> 3~18

> 18~50

> 50~120

± 0.12

± 0.15

± 0.3

± 0.5

TERMINAL BLOCK