

PCB LAYOUT



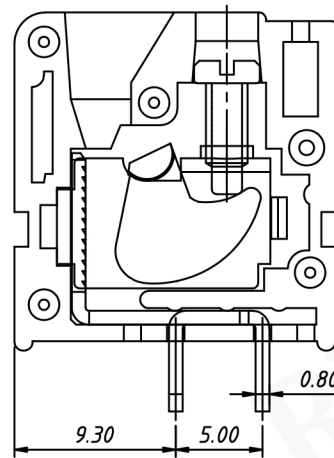
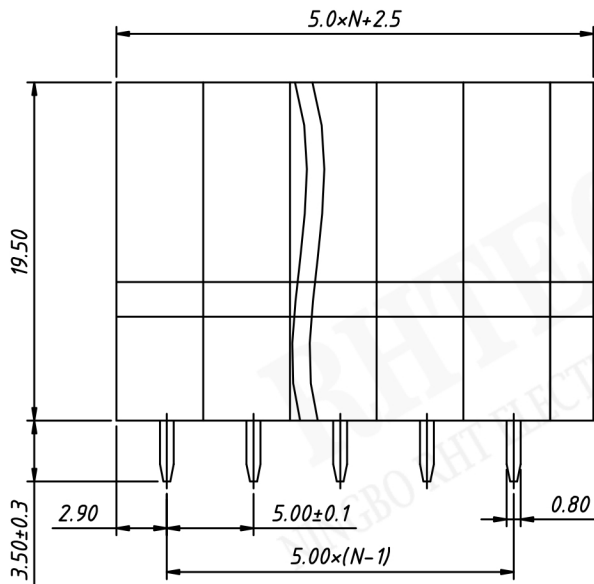
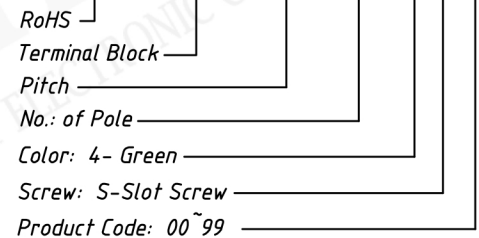
Material
 Housing: PA66, UL94V-0
 Clamp: Steel Zinc plated
 Pin Header: Brass, Tin plated
 Screw: M2.5, steel Zinc plated

Electrical
 Rated voltage: 300V
 Rated current: 20A
 Contact Resistance: 20 mΩ
 Insulation resistance: 500MΩ/DC500V
 Withstand voltage: AC2000V / 1 min
 Wire Range: 24~14AWG 2.5mm²

Mechanical
 Temp. Range: -40 °C ~ +105 °C
 Strip length: 12~13mm
 Torque: 0.4Nm (3.5Lb.in)

Order Information

RE - C - 146V - 5.00 - XXP - 4 S 00



NINGBO RHT ELECTRONIC CO.,LTD

UNITS:mm		SHEET SIZE:A4		SCALE: ---	
> 0~ 3	> 3~ 18	> 18~ 50	> 50~ 120	> 50~ 120	> 50~ 120
± 0.12	± 0.15	± 0.3	± 0.5	± 0.5	± 0.5



TERMINAL BLOCK