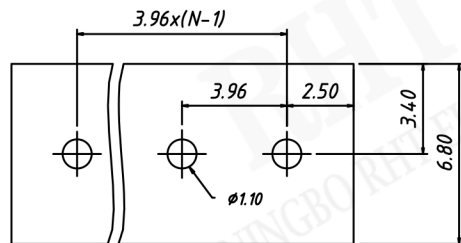


SECTION A-A



PCB LAYOUT

Material

Screw: M2, Steel, Zn plated
 Shrapnel: Phosphor bronze, Nickel plated
 Pin header: Brass, Tin plated
 Housing: PA66, UL94V-0



Electrical

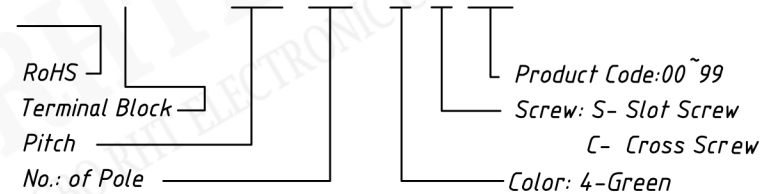
Rated voltage: 125V
 Rated current: 10A
 Wire range: 24~18AWG 1.0mm²
 Contact Resistance: 20 mΩ
 Insulation resistance: 500MΩ/DC500V
 Withstand voltage: AC2000V / 1 min

Mechanical

Temp. Range: -40 °C ~ +105 °C
 Soldering: 250°C ±5°C for 5S
 Torque: 0.2 N.m (1.77Lb. in)
 Strip length: 4.5~5 mm

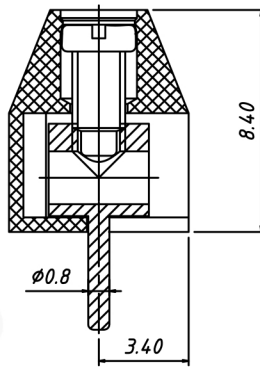
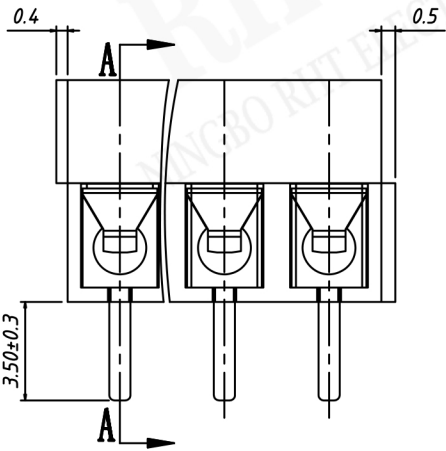
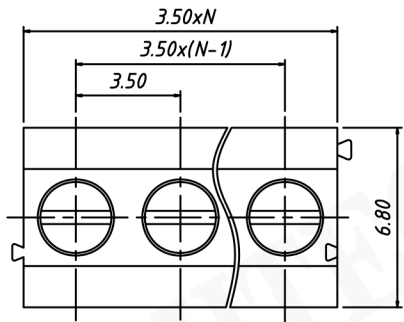
Order Information

RE - C-350 -3.96-XXP-4 S XX

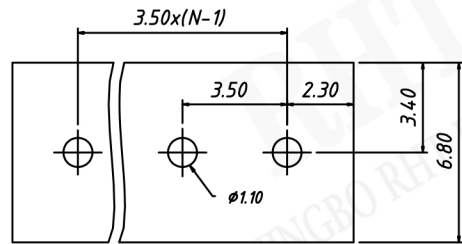


NINGBO RHT ELECTRONIC CO., LTD

UNITS:mm	SHEET SIZE:A4		SCALE: ---	First angle projection TERMINAL BLOCK
> 0~3	> 3~18	> 18~50	> 50~120	
± 0.12	± 0.15	± 0.3	± 0.5	



SECTION A-A



PCB LAYOUT

Material

Screw: M2, Steel, Zn plated
 Shrapnel: Phosphor bronze, Nickel plated
 Pin header: Brass, Tin plated
 Housing: PA66, UL94V-0



Electrical

Rated voltage: 125V
 Rated current: 10A
 Wire range: 24~18AWG 1.0mm²
 Contact Resistance: 20 mΩ
 Insulation resistance: 500MΩ/DC500V
 Withstand voltage: AC2000V / 1 min

Mechanical

Temp. Range: -40 °C ~ +105 °C
 Soldering: 250°C ±5°C for 5S
 Torque: 0.2 N.m (1.77Lb. in)
 Strip length: 4.5~5 mm

Order Information

RE - C -350 -3.50-XXP-4 S XX

RoHS
 Terminal Block
 Pitch
 No.: of Pole

Product Code:00~99
 Screw: S- Slot Screw
 C- Cross Screw
 Color: 4-Green



NINGBO RHT ELECTRONIC CO., LTD

UNITS:mm

SHEET SIZE:A4

SCALE: ---



First angle projection

> 0~3

> 3~18

> 18~50

> 50~120

± 0.12

± 0.15

± 0.3

± 0.5

TERMINAL BLOCK