

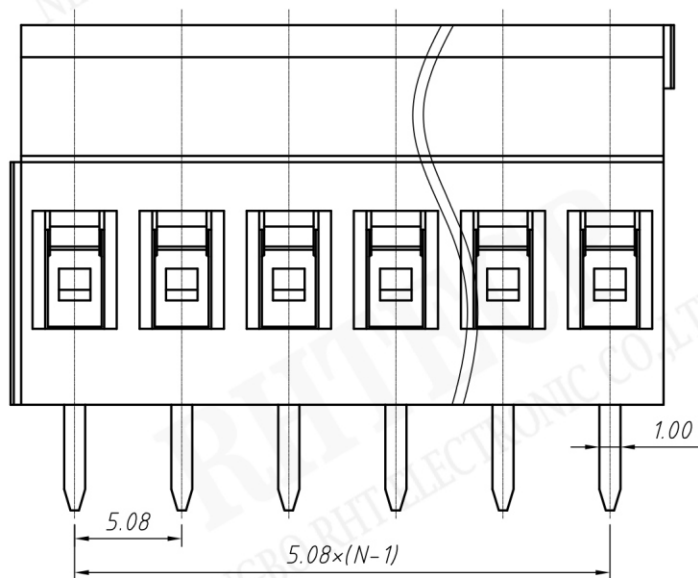
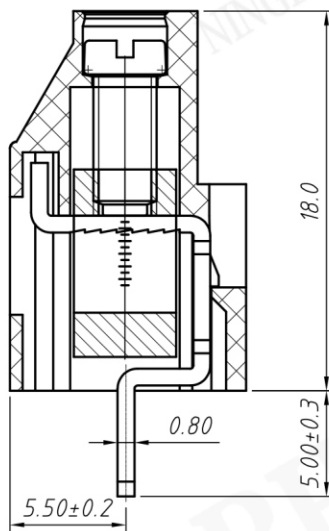
**Material**  
 Housing: PA66, UL94V-0  
 Clamp: Brass, Ni plated  
 Pin Header: Brass, Tin plated  
 Screw: M3.0, steel Zinc plated

**Electrical**  
 Rated voltage: 300V  
 Rated current: 20A  
 Contact Resistance: 20 mΩ  
 Insulation resistance: 500MΩ/DC500V  
 Withstand voltage: AC2000V / 1 min  
 Wire Range: 26~12AWG 2.5mm<sup>2</sup>

**Mechanical**  
 Temp. Range: -40 °C ~ +105 °C  
 Strip length: 6~7mm  
 Torque: 0.5Nm (4.5Lb.in)

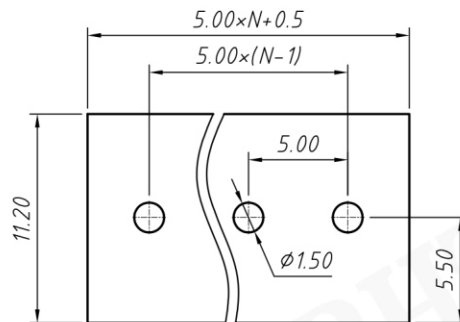
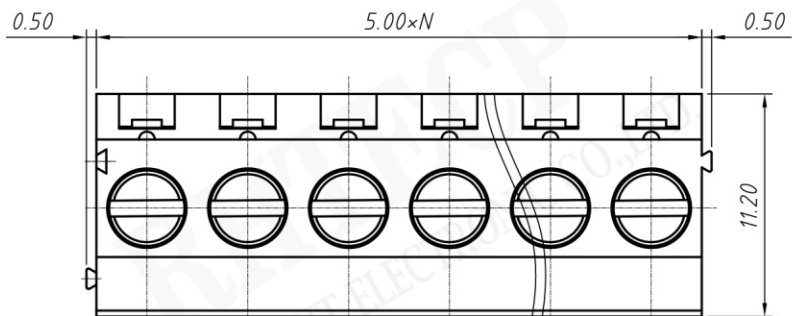
**Order Information**  
 RE - C - 130 - 5.08 - XXP - 4 S 00

RoHS  
 Terminal Block  
 Pitch  
 No. of Pole  
 Color: 4- Green  
 Screw: S-Slot Screw  
 Product Code: 00~99

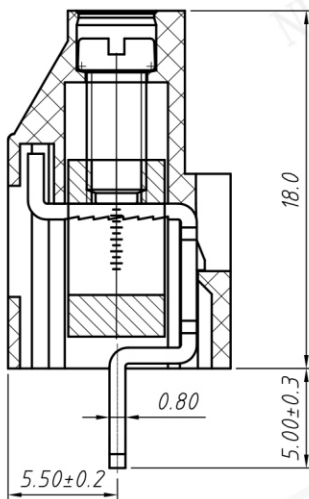
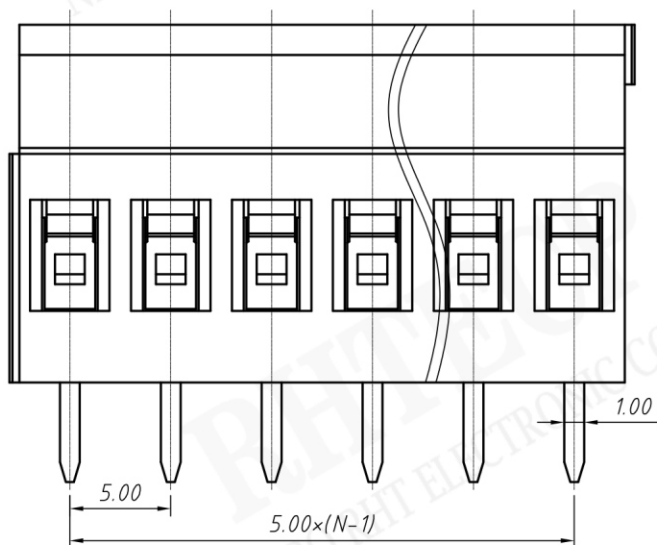


NINGBO RHT ELECTRONIC CO., LTD

UNITS:mm	SHEET SIZE:A4		SCALE: ---	First angle projection <b>TERMINAL BLOCK</b>
> 0~3	> 3~18	> 18~50	> 50~120	
± 0.12	± 0.15	± 0.3	± 0.5	



PCB LAYOUT



Material  
 Housing: PA66, UL94V-0  
 Clamp: Brass, Ni plated  
 Pin Header: Brass, Tin plated  
 Screw: M3.0, steel Zinc plated

Electrical  
 Rated voltage: 300V  
 Rated current: 20A  
 Contact Resistance: 20 mΩ  
 Insulation resistance: 500MΩ/DC500V  
 Withstand voltage: AC2000V / 1 min  
 Wire Range: 26 ~ 12AWG 2.5mm<sup>2</sup>

Mechanical  
 Temp. Range: -40 °C ~ +105 °C  
 Strip length: 6 ~ 7mm  
 Torque: 0.5Nm (4.5Lb.in)

Order Information

RE - C - 130 - 5.00 - XXP - 4 S 00

RoHS  
 Terminal Block  
 Pitch  
 No. of Pole  
 Color: 4 - Green  
 Screw: S-Slot Screw  
 Product Code: 00 ~ 99



NINGBO RHT ELECTRONIC CO., LTD

UNITS:mm

SHEET SIZE:A4

SCALE: ---



> 0 ~ 3

> 3 ~ 18

> 18 ~ 50

> 50 ~ 120

± 0.12

± 0.15

± 0.3

± 0.5

TERMINAL BLOCK