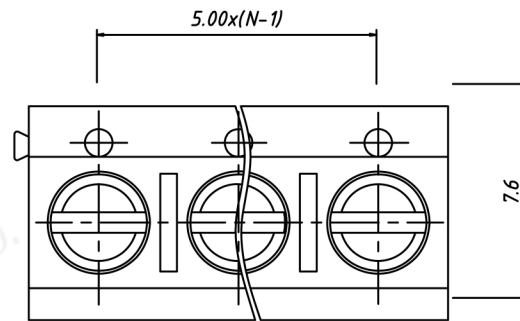


PCB LAYOUT



Material

- Screw: M2.5, Steel, Zn plated
- Shrapnel: Phosphor bronze, Nickel plated
- Pin header: Brass, Tin plated
- Housing: PA66 or PBT, UL94V-0



Electrical

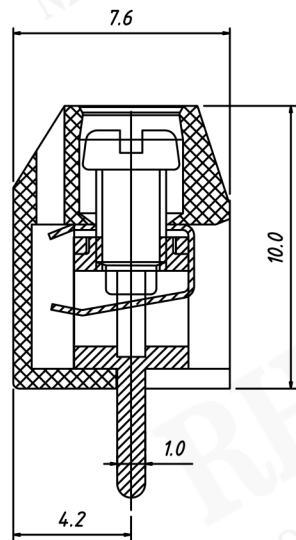
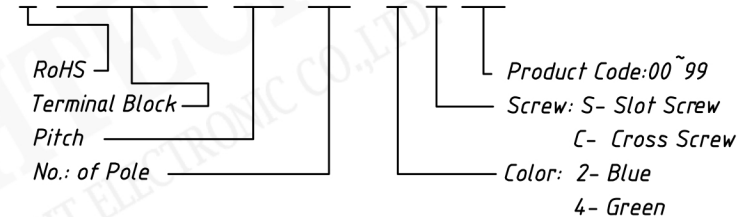
- Rated voltage: 250V
- Rated current: 16A
- Wire range: 22~14AWG 1.5mm²
- Contact Resistance: 20 mΩ
- Insulation resistance: 500MΩ/DC500V
- Withstand voltage: AC2000V / 1 min

Mechanical

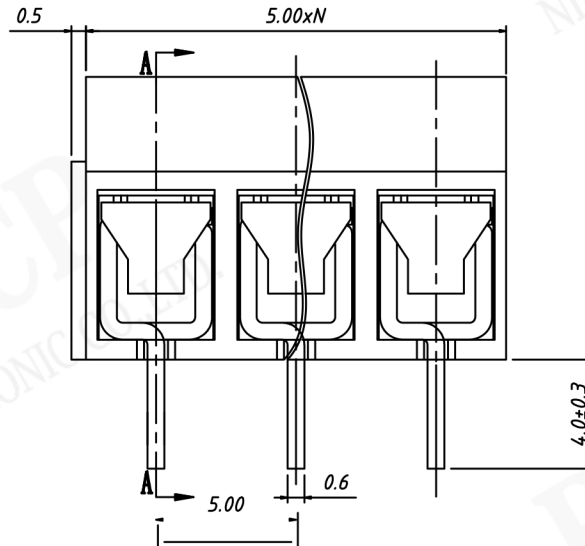
- Temp. Range: -40 °C ~ +105 °C
- Soldering: 250 °C 5Sec. Max.
- Torque: 0.4 N.m (3.5Lb. in)
- Strip length: 4.5~5 mm

Order Information

RE - C - 306V - 5.00 - XXP - 2 S XX

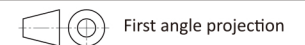


SECTION A-A



NINGBO RHT ELECTRONIC CO.,LTD

UNITS:mm		SHEET SIZE:A4		SCALE: ---	
> 0~3	± 0.12	> 3~18	± 0.15	> 18~50	± 0.3
> 3~18	± 0.12	> 18~50	± 0.15	> 50~120	± 0.5



TERMINAL BLOCK