

PCB LAYOUT

Material

Screw: M4.0, steel, Zn plated
 Cage: Brass, Nickel plated
 Pin header: Brass, Tin plated
 Housing: PA66, UL 94 V-0, Green



Electrical

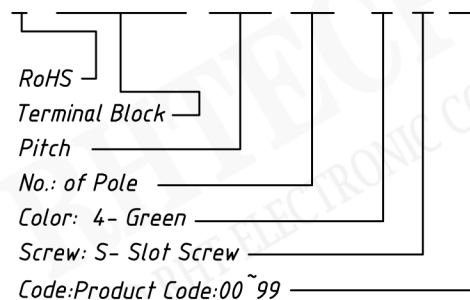
Rated voltage: 300V
 Rated current: 60A
 Wire range: 20~6AWG 10mm²
 Contact Resistance: 20 mΩ
 Insulation resistance: 500MΩ/DC1000V
 Withstand voltage: AC2500V / 1 min

Mechanical

Temp. Range: -40 °C ~ +105 °C
 Soldering: 250 °C 5Sec. Max.
 Torque: 1.2 Nm (10.5 Lb.) in
 Strip length: 9~10 mm

Order Information

RE - C - 116 - 15.24 - XXP - 4 S XX



NINGBO RHT ELECTRONIC CO., LTD

UNITS: mm

SHEET SIZE: A4

SCALE: ---

> 0~3

> 3~18

> 18~50

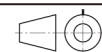
> 50~120

± 0.12

± 0.15

± 0.3

± 0.5



First angle projection

TERMINAL BLOCK