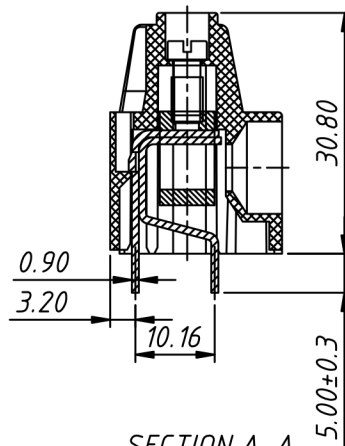


PCB LAYOUT



SECTION A-A

Material

Screw: M4.0, steel, Zn plated

Cage: Brass, Nickel plated

Pin header: Brass, Tin plated

Housing: PA66, UL94V-0, Green



Electrical

Rated voltage: 300V

Rated current: 60A

Wire range: 20 ~ 6AWG 10mm

Contact Resistance: 20 mΩ

Insulation resistance: 500MΩ/DC500V

Withstand voltage: AC2500V / 1 min

Mechanical

Temp. Range: -40 °C ~ +105 °C

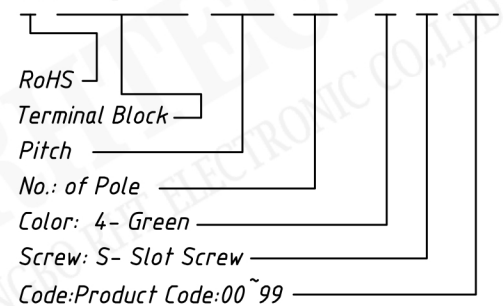
Soldering: 250 °C 5Sec. Max.

Torque: 1.2 N.m (10.5 Lb. in)

Strip length: 9 ~ 10 mm

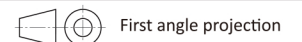
Order Information

RE - C - 151 - 12.7 - XXP - 4 S XX



NINGBO RHT ELECTRONIC CO., LTD

UNITS:mm	SHEET SIZE:A4		SCALE: ---
> 0 ~ 3	> 3 ~ 18	> 18 ~ 50	> 50 ~ 120
± 0.12	± 0.15	± 0.3	± 0.5



TERMINAL BLOCK