

Material

Housing: PA66, UL 94V-0
 Pin header: Brass, Tin plated
 Clamp: Brass, Ni plated
 Screw: M2.5, steel Zinc plated

Electrical

Rated voltage: 300V
 Rated current: 16A
 Contact Resistance: 20 mΩ
 Insulation resistance: 500MΩ/DC500V
 Withstand voltage: AC2000V / 1min
 Wire Range: 22~12AWG 2.5mm²

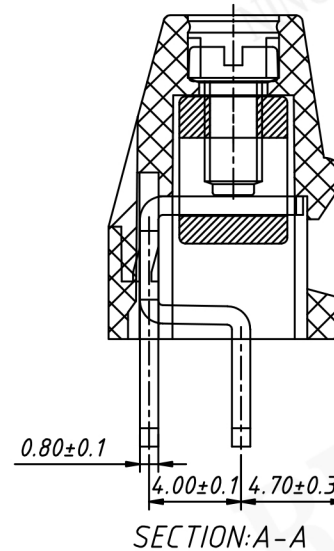
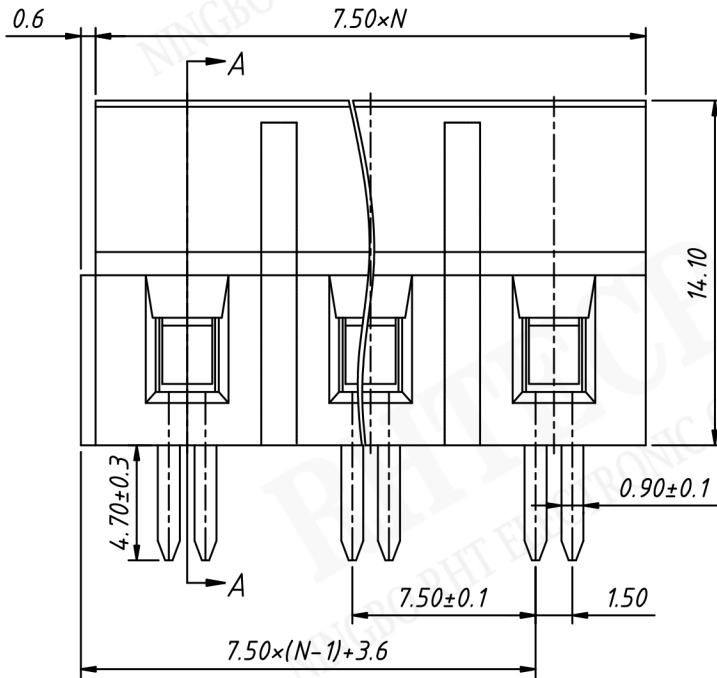
Mechanical

Temp. Range: -40 °C ~ +105 °C
 Strip length: 6~7mm
 Torque: 0.4Nm (3.5Lb.in)

Order Information

RE - C - 128D - 7.50 - XXP - 4 S 00

RoHS
 Terminal Block
 Pitch
 No.: of Pole
 Color: 4 - Green
 Screw: S-Slot Screw
 Product Code: 00~99

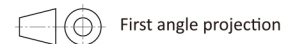


NINGBO RHT ELECTRONIC CO.,LTD

UNITS:mm

SHEET SIZE:A4

SCALE: ---



> 0~3

> 3~18

> 18~50

> 50~120

± 0.12

± 0.15

± 0.3

± 0.5

TERMINAL BLOCK